

TENDER DOCUMENTS FOR

**Re-construction and shifting of 33KV Line (Jagatsinghpur 33KV Feeder)
existing inside the premises of STP-II, Matgajpur of OISIP due to construction
of Sewage treatment plant under CMC, Cuttack
Under CDD No – II, Cuttack**



**CENTRAL ELECTRICITY SUPPLY UTILITY OF ODISHA (CESU)
OFFICE OF THE SUPERINTENDING ENGINEER
ELECTRICAL CIRCLE, CUTTACK
TELEPHONE: (0671) – 2324223
TENDER SPECIFICATION NO: 06 / 19-20**

CENTRAL ELECTRICITY SUPPLY UTILITY OF ODISHA (CESU)

**OFFICE OF THE SUPERINTENDING ENGINEER
ELECTRICAL CIRCLE, CUTTACK
TELEPHONE: (0671) - 2324223**

Tender Specification No : 06 /19-20

Tender Notice No. 674 dtd 13/02/2020

BIDDING DOCUMENTS

CENTRAL ELECTRICITY SUPPLY UTILITY OF ODISHA (CESU)

OFFICE OF THE SUPERINTENDING ENGINEER
ELECTRICAL CIRCLE, CUTTACK
TELEPHONE: (0671) - 2324223

TENDER NOTICE NO: 674 / Dtd.13/02/2020 for Re-construction and shifting of 33KV Line (Jagatsinghpur 33KV Feeder) existing inside the premises of STP-II, Matgajpur of OISIP due to construction of Sewage treatment plant under CMC, Cuttack Under CDD No – II, Cuttack on partial turnkey basis.

CONTENTS

SECTION No	DESCRIPTION	PAGE NO.
PART-I		
SECTION-I :	INVITATION FOR BIDS (IFB)	5-9
SECTION-II :	GENERAL TERMS AND CONDITIONS OF CONTRACT (GTCC)	10-27
SECTION-III :	PRICE SCHEDULE FORMAT	28-33
SECTION-IV :	BID PROPOSAL	34-39
ANEXURE-I :	Bid Proposal Letter & Undertaking	40
ANNEXURE-II	Declaration Form	41
ANNEXURE-III	CPBG Format	42-44
ANNEXURE-IV	Bank Guarantee for Advance Payment	45-47
ANNEXURE-V	Power of Attorney for Joint Venture	48-49
ANNEXURE-VI	Joint Venture Agreement	50-53
ANNEXURE-VII (A&B)	Letter of Compliance	54-59
ANNEXURE-VIII	Commercial Deviations	60
ANNEXURE-IX	Technical Deviations	61
ANNEXURE-X	Additional Information	62
ANNEXURE-XI	Bought Out & Sub Contract	63
ANNEXURE-XII	Work Completion Schedule	64
ANNEXURE-XIII	Check List	65
ANNEXURE-XIV& XV	Proforma for Indemnity Bond	66-71
ANNEXURE-XVI	Self Declaration Form	72
SECTION-V :	Technical Specification	73-179

TENDER CALL NOTICE

CENTRAL ELECTRICITY SUPPLY UTILITY OF ODISHA (CESU)

**OFFICE OF THE SUPERINTENDING ENGINEER
ELECTRICAL CIRCLE, CUTTACK
TELEPHONE: (0671) - 2324223**

Central Electricity Supply Utility of Odisha (CESU) invites bids from reputed firms to be engaged as an Executor on turnkey basis in **two-part bidding** system for the following works

Brief Description of Work	Estimated Cost (In Rs.)	Earnest Money Deposit (In Rs.)	Last Date/ time for Submission of bids	Date and time of Opening of Bid	Non refundable cost of Bid document in
1	2	3	4	5	6
Re-construction and shifting of 33KV Line (Jagatsinghpur 33KV Feeder) existing inside the premises of STP-II, Matgajpur of OISIP due to construction of Sewage treatment plant under CMC, Cuttack Under CDD No – II, Cuttack	1,07,77,596/-	1,08,000/-	1.00PM of 02.03.2020	3.30PM of 02.03.2020	15,000/- + 1,800/- (12% GST)

Downloading of tender documents starts from Date **17/02/2020**

Pre-bid meeting will be held in the office chamber on Date **19/02/2020** at 11.30 A.M at O/o Superintending Engineer, Electrical Circle, Cuttack.

For details please visit our web site : www.cescoorissa.com/ www.cesuodisha.com on or after Date **17/02/2020**.

The prospective bidders are requested to follow the above CESU website only time to time for any Clarification/ Corrigendum/ Addendum against the referred Tender.

The authority reserves the right to accept or reject any or whole of the offers without assigning any reason thereof.

PART- I

SECTION – I

INVITATION FOR BIDS (IFB)

1.0CESU invites sealed tenders in two part bidding system from reputed Electrical Contractors with required HT license, either in individual capacity or as part of a joint venture agreement.

a) Consortium for carrying out various Electrical Installation works on ‘Partial Turnkey’ basis in the jurisdiction of their respective licensed area under deposit work. The bidder must fulfill all the qualifying requirements as specified in clause 2.0 stated below. The sealed envelopes shall be duly super scribed as “**TENDER NOTICE No: 06/19-20.**”

Brief Description of Work	Estimated Cost (In Rs.)	Earnest Money Deposit (In Rs.)	Last Date/ time for Submission of bids	Date and time of Opening of Bid	Non refundable cost of Bid document in
1	2	3	4	5	6
Re-construction and shifting of 33KV Line (Jagatsinghpur 33KV Feeder) existing inside the premises of STP-II, Matgajpur of OISIP due to construction of Sewage treatment plant under CMC, Cuttack Under CDD No – II, Cuttack	1,07,77,596/-	1,08,000/-	1.00PM of 02.03.2020	3.30PM of 02.03.2020	15,000/- + 1,800/- (12% GST) .

2.0 Bidders to be considered as eligible for the bid should meet the following Qualifications; Bidder must quote for the complete package.

Bidder should have installed and commissioned at least following quantum of works as specified under the bid for which the bidder is submitting his bid during the last three financial years preceding to the year of tender notification i.e. FY 2016-17, FY 2017-18 and FY 2018-19. Bidder must enclose copies of the relevant Work Orders along with Client Certified copies of Final Invoices and/or Performance Certificates duly signed by the competent authority of the client and/or Final Inspection Certificate issued by Electrical Inspector in proof of having executed the desired quantum works during the last three financial years.

Bidders must have experience of the following works:-

- Construction of 4pole/6 pole structure -01No
- Construction of 11KV/33KV line OH line -0.5Km
- Laying of 11KV/33KV XLPE UG Cable through open trench Method- 0.5 Km.
- Laying of 11Kv/33KV XLPE UG Cable with HDD method with covering HDPE pipe – 30mtr.

- a. **Average Annual Turnover during the last three financial years proceeding to the year of tender notification should be equal to or more than the estimated cost of the bid** for which the bidder has submitted his bid. The bidder shall furnish audited accounts for the last three years i.e. **FY 2016-17, FY 2017-18 & FY 2018-19** evidencing their turnover requirement.
- b. Bidder shall be financially sound and stable having liquid assets as stated in the enclosed format and/or access to credit facility of **not less than one fifth of estimated cost of the Bid** for which he has submitted the bid. Bidder shall furnish the documentary evidence to establish the financial soundness. **So, to access this, Bidders are required to furnish liquid assets as on 31.01.2020 certified by their concerned Bank in bank letter head only. (Ref Annexure- VII)**
- c. Two or more like minded contractor(s) and/or manufacturer(s) of electrical items, and /or firms having above work experience which are under scope of supply & Erection of the contractor as per this tender specification, may form a joint venture/ consortium, may Tie up and make agreement amongst themselves and apply against this tender specification, provided they qualify the criteria. However, the tie up partner showing their experience should have valid HT electrical license. The sample format of joint venture / consortium agreement is enclosed at Section – IV of this tender specification as Annexure - VI.
- d. If the bidder is a joint venture / consortium, they shall comply the qualifying criteria as follows:
- At least one partner shall have the stipulated previous works experience for similar quantity of completed works as stated in the qualifying criteria with valid electrical HT license.
- If the work experience of one partner is not meeting the entire qualifying criteria, the item wise field experience of the other partner(s) specified in the scope of work shall be added for qualifying the bid in total. However item wise fractional work experience shall not be summed up for consideration for any single item of the scope.
- The partner (lead or JV partner) showing their experience should have valid HT electrical license.
- However, the annual turnover and liquidity figures of all partners shall be added together to determine the qualifying criteria in case of the joint venture / consortium
- e. One of the partners shall be nominated as Lead Partner and the lead partner shall be authorized to incur liabilities and receive instructions for and on behalf of all partners of the joint venture / consortium and entire execution of the contract including receipt of payments shall be done exclusively through the lead partner. This authorization shall be evidenced by submitting by a Power of Attorney signed by legally authorized signatories of all partners.
- f. All partners of joint venture / consortium shall be liable jointly and severally for the

execution of contract in accordance with the contract terms and a copy of the agreement entered into by the joint venture / consortium partners having such a provision shall be submitted with the Bid. A statement to this effect shall be included in the authorization mentioned as above as well as in the Bid form and in Contract form (in case of a successful bid).

- g. In addition to above the bidder should submit the following documents in part-I bid as qualifying terms.
- Valid electrical (HT) license for electrical works.
 - EPF & ESI registration
 - PAN & GSTIN with registration certificate
- h. The bidders who have earlier failed to execute the work order(s) of the CESU shall not be eligible to participate in this tender.
- i. CESU reserves the right to waive minor deviation, if they do not materially affect the capacity of the bidder to perform the contract.

3.0 Bids specification document can be obtained from the office of the undersigned on payment of Rs.15,000/- towards non-refundable cost of bid documents plus 12% GST (Total Rs. 16,800/-) through **Cash / Bank (DD) drawn in favour of Superintending Engineer, Electrical Circle CESU, Cuttack payable at “ Cuttack ”** , during office hours.

4.0 The tender documents can also be downloaded from CESU websites www.cesuodisha.com. In case tender papers are downloaded from these websites, then the bidder has to enclose a Demand Draft drawn on any scheduled bank **in favour of Superintending Engineer, Electrical Circle CESU Cuttack payable at “Cuttack”**, covering the cost of bid documents as stated above in a separate envelope with suitable superscription **“Cost of Bid Documents: Tender Notice Ref: 06/19-20** This envelope should accompany the Bid Documents. **Each and every documents / papers submitted by the bidder must be containing page no and signed by the bidder with his company seal in each pages and certification in the last page the total no’s of pages submitted by him**

5.0 The Bids shall be **submitted and received** in the office of the undersigned on all office working days **up to 1.00 P.M of Dt. 02.03.2020** In the event the date of opening is a holiday, the next working day shall be treated as the date of opening. **A pre-bid meeting** will be held **on Date 19.02.20 at 11.30 A.M** in the office chamber of Superintending Engineer, Electrical Circle Cuttack for giving clarifications, if any, on the bid documents to the prospective bidders who may choose to attend the meeting as detailed in the Bid document.

6.0 **Part-I of the bid (Technical Bid) will be opened on Date 02.03.2020 at 3.30 P.M** as indicated above, in the presence of the authorized representatives of the Bidders. **Further the authorized representatives of the bidders have to produce/submit the authorization letter, other wise he/she will not to be entertained in the room during the time of**

opening of tender. Bidders shall depute only one representative to attend pre bid meeting and tender opening if they wish to be represented. The undersigned reserves the right to reject any or all tenders if the situations so warrants.

7.0 All correspondence with regard to the above shall be made to the following address :

**O/O the Superintending Engineer
Electrical Circle, CESU, Cuttack
Ph – 0671-2324223**

SECTION – II

GENERAL TERMS AND CONDITIONS OF CONTRACT (GTCC)

1.0 GENERAL: -

CESU hereinafter referred to as the “Purchaser” is desirous of execution for Re-construction and shifting of 33KV Line (Jagatsinghpur 33KV Feeder) existing inside the premises of STP-II, Matgajpur of OISIP due to construction of Sewage treatment plant under CMC, Cuttack Under CDD No – II, Cuttack on partial turnkey basis as per the Scope detailed in the Bid Documents.

2.0 SCOPE OF WORK: -

The scope shall include supply of all the materials & equipments and installation / erection / commissioning and dismantling to complete the works.

2.01 THE DETAIL SCOPES OF THE WORK:

The detail scopes of work are available at **Section – I (General)** Technical Specification of the Tender document.

DEFINITION OF TERMS

- i. The ‘Contract’ means the agreement entered into between the Purchaser and the Contractor as per the Contract Agreement signed by the parties, including all attachments and appendices there to and all documents incorporated by reference therein.
- ii. ‘Purchaser’ shall mean CESU and shall include its legal representatives, successors and designated officers/Engineers.
- iii. ‘Contractor’ shall mean the Bidder whose bid will be accepted by the Purchaser for the award of the Works and shall include such successful Bidder’s legal representatives, successors and permitted assigns.
- iv. ‘Sub-Contractor’ shall mean the person named in the Contract for any part of the works or any person to whom any part of the Contract has been sublet by the contractor with the consent in writing of the Engineer and will include the legal representatives, successors and permitted assigns of such person.
- v. ‘Engineer in Charge’ shall mean the officer appointed in writing by the Purchaser to act as Engineer from time to time for the purpose of the Contract.
- vi. ‘Specifications’ shall mean the specifications and Bidding Document forming a part of the Contract and such other schedules and drawings as may be mutually agreed upon.
- vii. ‘Site’ shall mean and include the land and other places on, into or through which the works and the related facilities are to be erected or installed and any adjacent land, paths, street or reservoir which may be allocated or used by the Purchaser or Contractor in the performance of the Contract.
- viii. ‘Inspector’ shall mean the Purchaser or any person nominated by the Purchaser from time to time, to inspect the equipment; stores or Works under the Contract and/or the duly authorized representative of the Purchaser.
- ix. ‘Notice of Award of Contract’/ ‘Letter of Award’ shall mean the official notice issued by the Purchaser notifying the Contractor that his bid has been accepted.
- x. ‘Date of Contract’ shall mean the date on which notice of Award of Contract/ Letter of

Award has been issued.

- xi. 'Performance and Guarantee Tests', shall mean all operational checks and tests required to determine and demonstrate capacity, efficiency, and operating characteristics as specified in the Contract Documents.
- xii. The term 'Final Acceptance'/'Taking Over' shall mean the Purchaser's written acceptance of the works performed under the Contract, after successful commissioning/ completion of Performance and Guarantee Tests, as specified in the accompanying Technical Specifications or otherwise agreed in the contract.
- xiii. 'Commercial Operation' shall mean the condition of operation in which the complete equipment covered under the Contract is officially declared by the Purchaser to be available for continuous operation at different loads up to and including rated capacity. Such declaration by the Purchaser, however, shall not relieve or prejudice the Contractor of any of his obligations under the Contract.
- xiv. Words imparting 'Person' shall include firms, companies, corporations and associations or bodies of individuals, whether incorporated or not.
- xv. Terms and expressions not herein defined shall have the same meaning as are assigned to them in the Indian Sale of goods Act (1930), failing that in the Indian Contract Act (1872) and failing that in the General Clauses Act (1897) including amendments thereof, if any.
- xvi. In addition to the above the following definition shall also apply
 - a. 'All equipment and materials' to be supplied shall also mean 'Goods'
 - b. 'Constructed' shall also mean erected and installed.
 - c. 'Contract Performance Guarantee' shall also mean 'Contract Performance Security'.

4.0 SUBMISSION OF TENDER: -

Sealed tenders in Two parts, each complete in all respects in the manner hereinafter specified are to be submitted to **Superintending Engineer (Electrical), Electrical Circle CESU Cuttack, Badambadi, Cuttack-12** on or before the date and time specified in the notice inviting the tenders. Bids shall be submitted as per format provided in Section – III & IV. Bid shall be submitted in double sealed envelopes superscribed on the covers the tender specification number and the due date of opening of the bids on the right hand top side of the envelop. On the left top side of the price bid original/ duplicate as is relevant shall be written.

The tenders are required to be submitted in Two Parts each in separate double sealed covers.

- a. Part - I : Superscribed as "Technical and commercial bid " shall contain EMD, Bid Documents cost and Techno commercial documents.
- b. Part - II, Superscribed as "Price Bid". The Part - II should contain only Price bid (both hard and Soft copy) of participation in duplicate in separate envelope.

Fax and Telegraphic tenders shall not be accepted.

Receipt of bids / revised bids after the cut off time and date as specified in the Tender specification shall not be permitted and such bids shall be rejected outright. The Purchaser shall

not be responsible for any delay in transit in post / courier etc. in this regard.

Regarding less quoting of price bid w.r.t tender estimated cost as per amendment of OPWD code:

Additional Performance Security shall be obtained from the successful bidder who has quoted less bid price/ rate than the estimated cost put to the tender. In such an event only the successful bidder who has quoted less bid price shall have to furnish the exact amount of differential cost i.e. estimated cost put to tender minus the quoted amount as **Additional Performance Security in shape of Demand draft / Term Deposit Receipt pledged in favour of Superintending Engineer, Electrical Circle CESU Cuttack with validity same as the validity of CPBG for this tender within 7 (Seven) days from issuance of letter on L1 bidder before placement of work order, otherwise the bid shall be cancelled and security deposit (EMD) shall be forfeited and other consequential action may be taken against the bidder.**

This security amount shall be released only after expire of validity of CPBG as mentioned in Clause 29.04 of GCC. The aforesaid amount shall not carry any interest payable to the bidder.

5.0 VALIDITY:-

The offer shall be valid for a period not less than **Six months** from the date of bid opening.

6.0 PRICE: -

Bidders are required to quote firm price as per the prescribed format enclosed in, Section – VII of Bid Proposal Sheets. The quoted price shall be firm and inclusive of all taxes, duties, freight & insurance and other levies, if any. CESU shall not be liable to pay anything extra over and above the quoted price. However, any variation in taxes & duties shall be borne by the bidder during the period of contract including extension period.

7.0 RECEIPT AND OPENING OF THE BID: -

Bids as described under clause 4.0 shall be received in the office of the Purchaser and shall be opened on the scheduled date and time. The Purchaser's authorized representatives shall open bids in the presence of Bidders' representatives on the date and time for opening of bids as specified in the Invitation for Bid or in case any extension has been given thereto, on the extended bid opening date and time notified.

Maximum one representative for each bidder shall be allowed to witness the opening of bids. The representative must produce suitable authorization in this regard to be eligible to witness the bid opening on behalf of the bidder. Bidders' representatives who are present shall sign in a register evidencing their attendance.

The Bidders' names, bid prices, modifications, bid withdrawals and the presence or absence of the requisite bid guarantee and such other details as the Purchaser, at its discretion, may consider appropriate will be announced at the opening. No electronic recording devices

will be permitted during bid opening.

Information relating to the examination, clarification, evaluation and comparison of Bids and recommendations for the award of a contract shall not be disclosed to Bidders or any other persons not officially concerned with such process. Any effort by a Bidder to influence the Purchaser's processing of Bids or award decisions may result in the rejection of the Bidder's Bid.

8.0 EVALUATION OF BIDS & AWARD OF CONTRACT:

To assist in the examination, evaluation and comparison of Bids, the Purchaser may, at its discretion, ask the Bidder for a clarification of its Bid. All responses to requests for clarification shall be in writing and no change in the price or substance of the Bid shall be sought, offered or permitted.

Purchaser will examine the Bids to determine whether they are complete, whether any computational errors have been made, whether required sureties have been furnished, whether the documents have been properly signed, and whether the Bids are generally in order.

Arithmetical errors will be rectified on the following basis. If there is a discrepancy between the unit price and the total price per item that is obtained by multiplying the unit price and quantity, the unit price shall prevail and the total price per item will be corrected. If there is a discrepancy between the Total Amount and the sum of the total price per item, the sum of the total price per item shall prevail and the Total Amount will be corrected. In the event of multiple unit supply rates for the same item is found, then the lowest quoted supply rate for the same item shall be considered.

Prior to the detailed evaluation, Purchaser will determine the substantial responsiveness of each Bid to the Bidding Documents including production capability and acceptable quality of the Goods offered. A substantially responsive Bid is one, which conforms to all the terms and conditions of the Bidding Documents without material deviation.

The Purchaser's evaluation of a Bid will take into account, in addition to the Bid price, the following factors, in the manner and to the extent indicated in this Clause:

- Work Schedule
- Deviations from Bidding Documents
- Compliance of the criteria in Technical Bid
- If the quoted/evaluated rate of the bidder is less than 14.99% (without round off) of the tender estimated cost, then such a bid shall be rejected and tender shall be finalized basing on merits of rest bids i.e. for Rs. 100 estimated cost lowest accepted quoted/evaluated price is Rs. 85.01.

The Purchaser will award the Contract to the successful Bidder whose Bid has been determined to be the lowest - evaluated responsive Bid based in the price quoted in the price bid in their offered BOQ and services, when the lowest bidders is not ready and/or capable to undertake the entire work envisaged, then the Purchaser may explore the possibility of the execution of works through other bidders if they are willing to execute at **L1 rate**. Such exploration shall be carried out in a sequential order starting with **L2** bidder then with **L3** bidder and so on.

9.0 EARNEST MONEY DEPOSIT (EMD):-

The Tender must be accompanied by Earnest Money Deposit (1% of the tendered value) in shape of account payee Bank Draft drawn on any scheduled bank **in favour of Superintending Engineer, Electrical Circle CESU Cuttack, payable at Cuttack**. EMD shall be, as mentioned in the tender notice of the bid for which the bidder has submitted the bid. Bids without EM deposit will be rejected out rightly.

No adjustment of any previous deposit or any amount payable from Purchaser shall be entertained for EMD. EMD amount so submitted shall not carry any interest payable to the bidder.

The Earnest Money so deposited shall be forfeited:

- if the Bidder:

Withdraws its bid during the period of bid validity specified by the Bidder in the Bid Form;

or

- The successful Bidder, Fails to sign the Contract, or to execute minimum 10% of the work order value which is not sufficient to cover CPBG amount.

The EMD of unsuccessful bidders shall be returned within 30 days from the date of finalization of the order. The EMD of successful bidder shall be returned after acceptance and approval of CPBG/ deduction of CPBG amount in one stroke from 1st RA Bill.

10.0PURCHASER'S RIGHT TO VARY QUANTITIES AT TIME OF AWARD:

CESU reserves the right to increase or decrease the quantity of goods/services specified in the Schedule of Requirement during execution of Contract limiting to $\pm 20\%$ of Contract price without any change in unit price (as per the Price Schedule & Bills Of Materials) or other terms and conditions. However, quantity of individual items required may vary without any limitation.

11.0 INSPECTION AND TESTING:-

The Engineer-in-charge shall be entitled at all reasonable times during manufacture / installation to inspect examine and test the materials at the contractor's premises / erection site about workmanship of the materials to be supplied under this contract. If the said

materials are being manufactured in other premises, the contractor shall provide unhindered clearance, giving full rights to the purchaser to inspect, examine and test as if the materials were being manufactured in his premises. Such inspection / examination and testing shall not relieve the contractor of his obligations to execute the contract by letter and spirit. The contractor shall give the purchaser advance notice in writing of the Date and the Place at which the materials will be ready for testing. The inspecting officer for the entire work shall be the Purchaser representative for the concerned site. Inspection of all the materials will be completed within maximum two lots. The contractor shall ensure that all the inspected materials along with seal and intact at site and the same will be again cross checked and certified in the presence of project in charge.

Before issuing of the purchase order to any manufacturer for purchase of materials by the executants the GTP of all materials are to be submitted to CGM(Tech), CESU, BBSR after due verification by EE(EI) CDD-II, Cuttack/ EE(EI) E& MR Division, Cuttack and SE(EI) EC Cuttack, for necessary approval at his end.

The contractor shall give the owner at least 15days prior advance notice in writing of the Date and the Place at which the materials will be ready for testing as per the approved GTP. The inspecting officer for the entire work shall be the Purchaser representative for the concerned site.

Inspection of all the materials will be completed within maximum two lots. The contractor shall submit the inspection call to Superintending Engineer (Elect), EC, Cuttack which will be further forwarded to CGM(Tech) CESU, BBSR for deputation of officers for pre dispatch inspection of the materials at the factory premises. The required DI shall be issued by Superintending Engineer (Elect), EC, Cuttack after getting approval from CGM(Tech), CESU, BBSR. On issue of dispatch clearance the contractor shall lift the materials. The contractor shall ensure that all the inspected materials along with seal and intact and the same will be again cross checked and certified in the presence of project in charge at the site.

11.1 INSPECTION OF COMPLETED WORK – The work after due completion under the supervision of “The Engineer in Charge” shall be inspected by himself jointly with the competent authority of Electrical Inspectorate, Govt. of Odisha. All arrangement for this inspection shall be the responsibility of the Contractor. However, such Inspection and Testing shall not relieve Contractor of his obligation to execute the contract by letter of spirit. Any defects pointed out by the Electrical Inspector, shall be corrected or attended by the bidder /subcontractor at his own cost.

12.0 COMPLETION AND COMPLETENESS OF THE EQUIPMENT :- Time being the essence of the contract; the work shall be completed within **3 (Three) Months maximum from the date of issue of work order** including supply of all the materials, erection, Testing, dismantling, Electrical inspection & commissioning.

The work shall be treated as complete item wise when one item shall be complete in all

respects with all mountings, fixtures and standard accessories which are normally supplied even though not specifically detailed in the specification. No extra payment shall be payable for such mounting, fittings, fixtures and accessories which are needed for safe operations of the equipment as required by applicable code of the country though this might not have included in the contract.

All similar components and/or parts of similar equipment supplied shall be interchangeable with one another. Various equipments supplied under this contract shall be subject to Purchaser's approval.

Purchaser however reserves the right to re-schedule the completion period, if required.

13.0 REJECTION OF MATERIALS : -

In the event of the materials supplied by the contractor and/or the installation works are found to be defective in quality and the workmanship is poor or otherwise not in conformity with the requirements of the contract specification as per section-V (Technical specification), Purchaser shall reject such materials / services and ask the contractor in writing to replace / rectify the defects. The contractor on receipt of such notification shall rectify or replace the defective materials and/or re-install the work already executed, free of cost to the Purchaser. If the contractor fails to do so the Purchaser may at his option take the following actions which could be on concurrent basis.

- *Replace or rectify such defective materials and recover the extra cost so involved plus 25% from the Contractor*
- *Terminate the contract for balance supply and erection with enforcement of penalty as per contract.*
- *Acquire the defective materials at reduced price considered acceptable under the circumstances.*
- *Forfeit the Contract Performance Bank Guarantee.*

14.0 EXPERIENCE OF BIDDERS : -

The bidders are required to furnish information regarding their experience on the following aspects as per format provided in Section – IV, Annexure VII (A) & (B):

- i) Description of similar type of work executed during the last three FY years i.e. FY 2016-17, FY 2017-18 & FY 2018-19 with the name(s) of the party(s) to whom / where supplies / erection were made.
- ii) Work orders details (W.O No. and date only) executed during the last three years along with Electrical inspection report copies and copies of user's completion / performance certificate.

Bids may not be considered if the past performance is found to be un-satisfactory.

15.0 DEVIATION FROM SPECIFICATION: -

The bidders are requested to study the specification and the attached drawings thoroughly before tendering so that if they make any deviations, the same are prominently brought on a separate sheet under the headings “Deviations” as per formats provided under Section IV, Annexure – VIII & IX. All such deviations to the technical & commercial terms of the specification shall be indicated in a separate list as indicated above. In absence of such deviation schedule, it will be presumed that the bidder has accepted all the conditions stipulated in the tender specification, notwithstanding any deviations mentioned elsewhere in the Bid. However the acceptance of deviation is not binding on the Purchaser.

16.0 CONTRACTOR TO INFORM HIMSELF FULLY: -

The contractor shall examine the instructions, general conditions of the contract, specifications and the schedule of quantity and delivery to satisfy himself as to all the terms and conditions and circumstances affecting the contract price. He shall quote prices according to his own judgment and shall understand that no additional cost except as quoted shall only be considered.

17.0 PATENT RIGHT: -

The contractor shall indemnify the purchaser against all claims, actions, suits and proceedings for the alleged infringement any patent design or copy right protected either in country of origin or in India by the use of any equipment supplied by the contractor but such indemnity shall not cover any use of the equipment other than for the purpose indicated by or reasonable to be informed from the specification.

18.0 GUARANTEE PERIOD: -

The materials to be supplied by the contractor shall be guaranteed for satisfactory operation against defects in design and workmanship for a period of **24 months** from the date of handing over the completed installations.

The above guarantee certificate shall be furnished in triplicate to the Purchaser for his approval. Any defects noticed during the above period should be rectified by the Contractor free of cost to the Utility provided such defects are due to faulty design, bad workmanship or bad materials used on receipt of written notice from the Purchaser.

19.0 PENALTY FOR DELAY IN COMPLETION OF CONTRACT: -

If the contractor fails to complete the works by the scheduled period or any extension granted thereby, the contractor shall be liable for deduction of penalty amounting to **0.5% (half percent)** of the contract price per week of un-finished works subject to the maximum of **5% (five percent)** of the total contract price and subject to force majeure conditions.

Penalty amount can be realized from the proceeds of the Contract Performance Bank

Guarantee, if the situation so warrants.

Extension of completion period could be with / without levy of penalty with the discretion of purchaser.

20.0 RIGHT OF WAY :

Right of way issues, if any, arising during execution of the works shall have no liability of CESU. These issues shall be settled at the sole discretion of the Contractor with compensation (if any). CESU shall however extend all possible help to the Contractor including discussion with the local authorities for early resolution of these issues.

21.0 CONTRACTOR'S DEFAULT:

If the Contractor neglects to execute the works with due diligence and expedition or refuses or neglects to comply with any reasonable order given to him, in writing by the Engineer in connection with the works or contravenes the provisions or the contract, the Purchaser may give notice in writing to the Contractor to make good the failure, neglect or contravention complained of. Should the Contractor fail to comply with the notice within thirty (30) days from the date of serving the notice, the Purchaser shall be at liberty to employ other workmen and forthwith execute such part of the works as the contractor may have neglected to do or if the Purchaser thinks fit, without prejudice to any other right, he may have under the Contract to take the work wholly or in part out of the Contractor's hands and re-contract with any other person or persons to complete the works or any part thereof and in that event the Purchaser shall have free use of all Contractor's equipment that may have been at the time on the Site in connection with the works without being responsible to the Contractor for fair wear and tear thereof and to the exclusion of any right of the Contractor over the same, and the Purchaser shall be entitled to retain and apply any balance which may otherwise be due on the Contract by him to the Contractor, or such part thereof as may be necessary, to the payment of the cost of executing the said part of works or of completing the works as the case may be. If the cost of completing of works or executing part thereof as aforesaid shall exceed the balance due to the Contractor, the Contractor shall pay such excess. Such payment of excess amount shall be independent of the liquidated damages for delay which the Contractor shall have to pay if the completion of works is delayed.

In addition, such action by the Purchaser as aforesaid shall not relieve the Contractor of his liability to pay liquidated damages for delay in completion of works.

Such action by the Purchaser as aforesaid the termination of the Contract under this clause shall not entitle the Contractor to reduce the value of the Contract Performance Guarantee nor the time thereof. The Contract Performance Guarantee shall be valid for the full value and for the full period of the Contract including guarantee.

22.0 TERMINATION OF CONTRACT ON PURCHASER'S INITIATIVE :

Purchaser reserves the right to terminate the Contract either in part or in full due to reasons other than those mentioned under clause entitled 'Contractor's Default'. The Purchaser shall in such an event give fifteen (15) days notice in writing to the Contractor of his decision to do so.

The Contractor upon receipt of such notice shall discontinue the work on the date and to the extent specified in the notice, make all reasonable efforts to obtain cancellation of all orders and Contracts to the extent they related to the work terminated and terms satisfactory or the Purchaser, stop all further sub-contracting or purchasing activity related to the work terminated, and assist Purchaser in maintenance, protection, and disposition of the works acquired under the Contract by the Purchaser. In the event of such a termination the Contractor shall be paid compensation, equitable and reasonable, dictated by the circumstance prevalent at the time of termination.

If the Contractor is an individual or a proprietary concern and the individual or the proprietor dies and if the Contractor is a partnership concern and one of the partners dies then unless the Purchaser is satisfied that the legal representatives of the individual Contractor or of the proprietor of the propriety concern and in the case of partnership, the surviving partners, are capable of carrying out and in the case of partnership, the surviving partners, are capable of carrying out and completing the Contract, the Purchaser shall be entitled to cancel the Contract as to its incomplete part without being in any way liable to payment of any compensation to the estate of deceased Contractor and /or to the surviving partners of the Contractor's firm on account of the cancellation of the contract. The decision of the Purchaser that the legal representatives of the deceased Contractor or surviving partners of the Contractor's firm cannot carry out and complete the contract shall be final and binding on the parties. In the event of such cancellation the Purchaser shall not hold the estate of the deceased Contractor and/ or the surviving partners of the Contractor's firm liable to damages for not completing the Contract.

23.0 FORCE MAJEURE: -

The Contractor shall not be liable for any penalty for delay or for failure to perform the contract for reasons of Force Majeure such as "acts of God, acts of the Public enemy, acts of Govt., Fires, Flood, Epidemics, Quarantine restrictions, Strikes, Freight Embargos and provided that the Contractor shall within ten (10) days from the beginning of such delay notify the Purchaser in writing of the cause of delay. The Purchaser shall verify the facts and grant extension as facts justify.

24.0 EXTENSION OF TIME: -

If the delivery of the equipments / materials is delayed due to reasons beyond the control of the Contractor, the Contractor shall immediately inform the Purchaser in writing of his claim for an extension of time. The Purchaser on receipt of such notice may agree to extend the contract period as may be reasonable but without prejudice to other terms & conditions of the contract.

25.0 SAFETY PRECAUTIONS:-

The agency shall observe all applicable regulations regarding safety at the Site. Any compensation due on account of any type of accident at site shall be to the contractor's account. The contractor should follow various safety provisions as provided under Regulation-3, Regulation-4 & Regulation-7 of CEA (Measures relating to safety & electric supply) Regulation -2010 and Regulation -7 of CEA (Safety requirement for construction, operation and maintenance of electrical plants and electrical lines) Regulation-2011. The detail is annexed at Annexure- XVII.

26.0 STORE:-

Storing of materials from supply to erection shall be arranged by the contractor at his own cost. No compensation shall be made by the Purchaser for any damage or loss of materials during storing, transit transportation and at the time of erection.

27.0 INSURANCE: -

- a) Contractor shall arrange adequate Transit-cum-storage-cum-erection policy of all the materials including OSM materials and shall submit the copy of the same to the Purchaser. The policy shall initially remain valid for a period of sixty days over & above of the contractual guarantee period and shall be extended as required till handing over. Contractor shall be responsible for lodging of claim with the insurer as well as for all required follow up with the insurer for settlement of claim in case of loss/damage/theft of material during transit/storage/erection till the completed works is handed over to the Purchaser and is accepted by the authorized representative of the Purchaser in writing and CESU shall have no liability regarding any damage or theft of OSM items (if any) after handing over the materials to the contractor from the CESU store.
- b) Contractor shall also arrange adequate cover for his employees / laborers engaged in the works as well as arrange third party insurance cover to indemnify any possible damages/accident to public at large not connected with the works process and shall submit a copy of the same to the Engineer In Charge of the Project prior to starting of the work. Any claim(s) pertaining to this shall be the responsibility of the Contractor.

The Contractor shall take out a comprehensive insurance policy under the Workman Compensation Act 1923, to cover such workers, who will be engaged to undertake the jobs covered under this Work and a copy of this insurance policy will be given to CESU and Engineer-in-charge solely for their information, reference and records and Official use. The Contractor shall ensure that such insurance policies are kept at all times valid.

- c) The contractor shall undertake free replacement of the materials damaged or lost during transit, which will be intimated by the Consignee within 30 days of receipt of the materials at purchaser's stores.

28.0 ENGINEER IN CHARGE & PROJECT CO-ORDINATOR :-

Concerned **Executive Engineer, CDD-II, Cuttack** of CESU shall be the Engineer in charge for the Project. **The Divisional Engineer, E&MR Division, Cuttack** shall be the project coordinator for the project. All inspection, supervision, erection, testing and commissioning of the project shall be carried out in coordination with the Engineer in charge and the project co-coordinator. All drawings & GTPs should be submitted to **CGM (Tech) CESU Hqtr.BBSR**, for approval prior to inspection.

29.0 CONTRACT PERFORMANCE BANK GUARANTEE:-

Within 30 days of issue of the Work Order, the Contractor shall submit Contract Performance Bank Guarantee issued by a scheduled Bank, in favour of the Purchaser, covering 10% of the total value of the work order.

In case of Joint Venture/ Consortium, performance bank guarantee shall be in the name of lead partner @ of 10% of the contract price and additional @ 1% each by the Joint venture partner(s) separately (or) single Bank Guarantee for (Lead partner @ 10 % and each JV partner @ 1%) mentioning the name and address of the Lead & JV partner, to be submitted by lead partner from a Nationalized / Scheduled Bank encashable with the Cuttack branch of the issuing bank, in favour of Central Electricity Supply Utility of Odisha, Cuttack, in the prescribed proforma.

The said Bank Guarantee shall be prepared in the prescribed proforma as attached in Section IV, Annexure - III. The Bank Guarantee furnished shall be executed on Non-judicial Stamp paper worth of Rs 100/- (Rupees Hundred only), purchased in the name of the issuing bank, as per the prevalent rules. The Bank Guarantee so provided shall be en-cashable on the Cuttack branch of the issuing Bank.

The Contract Performance Bank Guarantee shall remain valid for a period not less than 90 days over and above the guarantee period, basing on stipulated completion period in the W.O. towards security i.e. **30 (Thirty) months from the date of issue of the work order and acceptance thereof**, failing which the work order (W.O) shall be liable for cancellation without any further notice with forfeiture of E.M.D. No interest shall be allowed by the Purchaser on the above Performance Security Deposit submitted by the Bidder. The Contract Performance Bank Guarantee may be extended for the delay period of completion of work, if any. The advance BG & CPBG shall be submitted before Superintending Engineer (Elect), Electrical Circle CESU Cuttack for necessary acceptance and approval thereof.

30.0 TERMS OF PAYMENT:

An advance of 10% (ten percent) of total lump sum contract price shall be paid as Mobilization Advance, subject to the following.

1. Submission of Invoice for payment of advance.
2. Receipt and acceptance of unconditional irrevocable Contract Performance Bank Guarantee in favour of Purchaser as mentioned in clause 29.00.
3. Receipt and acceptance of unconditional and irrevocable **Advance Payment Bank**

Guarantee in favour of Purchaser for an amount equivalent to the amount of advance as per the prescribed format as provided in Section IV, Annexure - IV. The Bank Guarantee so provided should be en-cashable on the Cuttack branch of the issuing Bank. Advance bank guarantee shall be submitted for a period of 90 days over and above the schedule date of completion **i.e. total for 6 (Six) months from date of issue of WO**. The advance bank guarantee may be extended further for a period of 3 months each occasion, if the advance amount is not recovered fully.

4. Establishment of contractor site office and certification by the engineer that satisfactory mobilization for erection exists (at least single/ part of the completed item of work).
5. All advance payment shall be interest bearing and recovery of advance along with the interest component on the advance amount shall be as under:

The said mobilization Advance will be recovered/ adjusted towards payment of first running bill while releasing 80% (Eighty percent) payment.

If any amount payable under the first running bill is not sufficient to cover the 10% mobilization advance, the balance outstanding shall be recovered from the next payment immediately falling due.

a. The amount of interest to be recovered from a particular bill shall be calculated **@10% per annum** on the value of advance corresponding to the percentage of total progressive payment being released. The period for which the interest is to be calculated shall be reckoned from the date of release of the advance payment to the actual date of release of the said progressive payment or the expiry of the stipulated time frame for release of such progressive payment. If any amount payable under any interim bill is not sufficient to cover all deduction to be made for interest on the advance payment and other sums deductible there from, the balance outstanding shall be recovered from the next payments immediately falling due.

80% (Eighty percent) of contract price on pro-rata basis along with taxes and duties shall be paid progressively for each portion of proportionally completed items (Supply and erection at site only) of work as per the agreed Bill of Materials within 30 days of submission of claim subject to certification by Purchaser's Engineer-in-charge on the basis of check points involved in such items of work. **However, contractor shall raise R/A bill with a copy of the comprehensive insurance policy as per the Clause-27 on completion of at least 20 % of the total contract value failing which bill shall not be processed.**

Balance 20% (twenty percent) of contract price shall be paid after completion of all works, envisaged under this project including any additions/alterations and on the basis of the final amendment work order , testing & commissioning, return of dismantled materials/ un-used free supply material, taking over certificate and entire stretch is fully

ready for commercial operation. The payments shall be subjected to clearance from electrical inspectorate, Govt of Odisha.

Note : In case of joint venture/consortium the CPBG.s shall be in the name of joint venture/consortium covering all the partners including the Lead Partner. The amount shall be 10% for lead partner and additional 1% by each of the J.V partners separately or single BG (Lead partner @ 10 % and JV partner @ 1%) mentioning the name and address of lead and JV partner to be submitted by lead partner from a Nationalized / Scheduled Bank encashable with the Cuttack branch of the issuing bank, in favour of Central Electricity Supply Utility of Odisha, Cuttack, in the prescribed proforma.

31.0 PAYING OFFICER AND NODAL AUTHORITY:

The Superintending Engineer, Electrical Circle CESU, Cuttack, will be the paying authority and the Nodal authority for the project. However The Executive Engineer, CDD II, Cuttack will monitor the progress of the project jointly with the Sub-Divisional Engineer and redress all the issues for smooth execution of the work in consultation with the concerned Authorities and report fortnightly to the Superintending Engineer, Electrical Circle CESU Cuttack. All drawings, GTP and type test reports to be submitted to CGM (Tech) through the SE, EC, Cuttack for approval.

Apart from the above, **The Superintending Engineer, Electrical Circle CESU Cuttack,** shall be the Paying Officer as mentioned below;

10% Mobilisation Advance

Note:- The said 10% Mobilisation Advance so paid shall be adjusted with interest against the payment of 80% of 1st R.A bill.

32.0 PURCHASER'S RIGHTS: -

The Purchaser reserves the right to accept any bid or reject any or all bids or cancel / withdraw invitation of bid or to vary the quantity for placement of order without assigning any reason to such decision. Such decision by the Purchaser shall bear no liability.

33.0 DISTINCT MARK ON EQUIPMENT AND MATERIALS:

All the equipments and materials required for the works shall have distinct mark of Purchaser either by way of punching on metal part(s) and/or in built during casting and/or painting as per common practice and/or as mutually agreed. This should be clearly visible in day light in naked eye.

34.0 DISPUTE RESOLUTION AND JURISDICTION : -

- a. Any Disputes arising out of this contract shall be referred to the **CEO, CESU** who shall decide the case as sole Arbitrator.
- b. For the purpose of dispute resolution, this agreement shall be governed by the provision of

Arbitration and Conciliation Act, 1996.

- c. All disputes shall be subjected to exclusive jurisdiction of the Courts at Cuttack and the writ jurisdiction of Hon'ble High Court of Odisha at Cuttack.

35.0 TRANSFER AND SUB-LETTING:-

The Contractor shall not sublet, transfer, assign or otherwise part with the Contract or any part thereof, either directly or indirectly, without prior written permission of the Purchaser.

36.0 FREE ISSUE OF MATERIALS (Owner Supply Materials / OSM) BY CESU :-

The list of OSM materials (if any) as per the scope to be supplied by CESU are available in Annexure-XVIII and Price Schedule. However, transportation cost of OSM materials from any CESU Central store at **Bhubaneswar/Choudwar** to work site is to be borne by the contractor. Rate should be quoted accordingly including transportation.

37.0 SUBMITTALS REQUIRED AFTER AWARD OF CONTRACT:-

Within 15 days of the effective date of contract the contractor shall provide three copies of an outline program of production, inspection, testing, delivery, survey, erection, pre-commissioning and commissioning in chart form. Included in the program will be the detailed schedule of drawing to be submitted.

The bar chart & pert chart for each item of the work so as to complete the work in scheduled period of, **3- months** for the project shall be furnished by the contractor/Successful Bidder. The periodic progress report as required by the purchaser shall be submitted by the contractor as per the format prescribed by the Engineer in Charge.

38.0 DRAWINGS

Within 15 days of contract commencement the contractor shall submit, for approval to the Superintending Engineer (Elect), Electrical Circle, Cuttack a schedule of the drawings to be produced. The schedule shall also provide a program of drawing submission, for approval by the Superintending Engineer (Elect). All drawings and design should be submitted to CGM (Tech) within the period specified above through the SE, EC, Cuttack.

39.0 APPROVAL PROCEDURE OF SUB VENDORS & DRAWINGS OF BOUGHT OUT MATERIALS

The contractor shall submit all drawings, documents and type test reports, QAP, Name of Sub vendor, samples (as applicable) etc, to the engineer in charge within 15 days of award of LOA for approval. If modifications to be made if such are deemed necessary, the contractor has to resubmit them for approval without delaying the initial deliveries or completion of the contract work.

Three copies of all drawings, GTP, QAP shall be submitted to CGM(Tech) through SE Ctc for approval and three copies for any subsequent revision.

If the drawings will be as per the technical specifications, the competent authority of the Purchaser will return the drawings & documents to the contractor marked with "Approved" stamp.

40.0 TAKING OVER

Upon successful completion of all the tests to be performed at site on equipment / materials supplied and erected by the contractor, the Engineer-in-charge of the project shall issue to the contractor a taking over certificate as a proof of the final acceptance of the equipment / materials. Such certificate shall not be un-reasonably withheld nor will the engineer delay the issuance thereof on account of minor omission or defects, which do not affect the commercial operation and / or cause any serious to the equipment/material. Such certificate shall, however, not relieve the contractor of any of his obligations which otherwise survive by the terms & conditions of the contract after issuance of such certificate.

For the satisfaction of purchaser about quality, the purchaser shall have unreserved right for arrangement of testing of equipment/ materials and the complete system independently by self or any other agency chosen by the purchaser. The contractor is expected to agree and extend necessary help during such test if necessary.

41.0 LATENT DEFECT WARRANTY

The period of latent defect warranty in terms of this bidding documents, shall be limited to five (05) years from the date of completion of Guarantee period.

42.0 CLEARANCE OF SITE:

The Contractor's shall from time to time during the progress of the Works clear away and remove all surplus materials and rubbish disposal in an approved manner. On completion of the work the Contractor shall remove all Contractors' equipment and leave the whole of the Site clean and in a workable condition, to the satisfaction of the CESU. The Contractor shall obtain prior approval of the CESU to remove the surplus materials. **The contractor should rectify any damage occur during execution to its original position.**

43.0 EMBOSSING / PUNCHING / CASTING / PAINTING

All major equipments and materials supplied /erected under this project shall bear distinct mark of "*CESU, WO Order No. & Date*" by a way of embossing / punching / casting etc. This should be clearly visible to naked eye.

44.0 CESU may or may not take over any balance materials left in the project in their account. So the contractor should procure the materials as per site condition.

45.0 Any terms & conditions not included above shall be abide by OPWD / CPWD / CVC codes / guidelines.

DECLARATION

The contractor has to declare that, any other miscellaneous materials required as per site

condition to execute the work in complete manner which is not included in the price schedule, has been taken into consideration during quoting the price for each scope. They understand that, the quoted sub scope price shall be considered as inclusive of these extra required items.

Further, the contractor has to declare that, in the event of any deviation to scope of work, they will submit the rate analysis (both supply and erection), drawing (if required) for the additional items not included in the price schedule before execution of the deviated/extra work beyond the original scope of the work to the satisfaction of CESU.

SECTION – III

PRICE SCHEDULE FORMAT

SCHEDULE OF QUANTITY & PRICE

Erection & Commissioning of Re-construction and shifting of 33KV Line (Jagatsinghpur 33KV Feeder) existing inside the premises of STP-II, Matgajpur of OISIP due to construction of Sewage treatment plant under CMC, Cuttack Under CDD No – II, Cuttack on partial turnkey basis.

(Firms shall quote the unit rate and total rates including all taxes and Duties)

SCOPE OF WORK	Unit	Qty.
4-POLE STRUCTURE		
4-Pole Structure with 150 x 150 mm RS Joist 12 mtr long in Nos. with Isolator (5Nos.) (33KV)	No.	2
CONDUCTOR STRINGING		
33 KV Linking line in KM. 100mm ² AAAC	Ckt. KM.	0.1
XLPE UG CABLE		
1Cx400mm ² 33KV XLPE Cable	Mtr.	3680
Cable Termination	No.	8
Construction of RCC cable trench of internal width 1.5 mtr & internal height 1.5 mtr. The RCC wall width shall be 200 mm with covering slab (Laying of two layer)	Mtr.	840
Laying with HDD method with covering HDPE pipe	Mtr.	30
Construction of loop chamber	No.	2
(33KV 3Ph. 3Wire Line single circuit OH line 0.85KM. Is to be shifted by converting to 1cx400mm² UG Cable for 1 Circuit with one spare in Single Core Cable-4x920Mtr.)		

Part-A (Supply of Materials)

Sl. No.	Particulars	Unit	Quantity	Supply		Erection		Total
				Unit Price	Amount	Unit Price	Amount	
1	150x150mm RS Joist 12mtr 34.6Kg./ Mtr. (GI)	No.	8					
2	CC (1:4:8) for Pole 12Mtr. Long, Padding-900x600x150mm.=0.081CuM and Concreting 6'6"x2'x2'=26Cft.=0.740CuM	CuM	6.568					
3	C.C. (1:2:4) using 12mm. BHG metal & Curing for Couping of support section 15"x15" (3.9Cft.) height 2'6" (1'6" above GL & 1' below G.L.)	Cum	0.88					
4	450x450x8 mm (GI) Base Plate	No.	8					
5	33KV G.I. pin	No.	12					
6	33KV Pin Insulator	No.	12					
7	33KV Polymer Disc Insulator, 70KN, B & S	No.	72	OSM				
8	HW fitting for100mm ² conductor (4 Bolted)	Set	18					
9	125x65x6 mm GI channel (11.9Kg./ Mtr.)	Kg.	609.28					
10	100x50 x 6 mm GI channel (6.8Kg./ Mtr.)	Kg.	348.16					
11	65x65x6mm. GI Angle (5.8Kg./ Mtr.)	Kg.	324.8					
12	GI Pipe Earthing 40mm Dia	No.	12					
13	50x6mm. GI flat for earthing	Mtr.	390.93	OSM				
14	LA, 30KV-10KA	No.	12	OSM				

15	GI Nut , Bolt & Washer of different sizes	No.	120					
----	---	-----	-----	--	--	--	--	--

16	33 KV 1250 A ISOLATOR with Polymer Post Insulator	Set	4	OSM				
17	Earthing of support coil type	No.	8	OSM				
18	100mm ² AAAC	KM.	0.3	OSM				
19	4-bolted PG Clamp for 100mm ² Conductor	No.	30					
20	Long barrel socket for 100mm ² conductor	No.	50					
21	Black paint	Ltr.	4					
22	GI Barbed wire anti climbing device 3Kg. Per support	Kg.	24					
23	Danger Board	No.	8					
Part-B UG Cable								
1	Supply of 1Cx400mm ² 33KV, Alluminium, XLPE, Extruded, insulated screen, dry cured dry cooled, armoured UG cable (ISI marked) with high pressure testing	Mtr.	3680			Erection rate not to quote	Erection rate not to quote	
2	Heat shrinkable cable end termination kit for 1Cx400mm ² Cable	No.	8					
3	Heat shrinkable cable straight through jointing kit for 1Cx400mm ² 33KV XLPE Cable	No.	7					
4	110mm. Dia HDPE pipe (PE 80-PN 80 Grade)	Mtr.	120					
5	100mm. Dia Medium gauge GI Pipe	Mtr.	80					
6	Clamp for fixing of GI Pipe	No.	16					
7	Assorted Size GI Nut and bolt	Kg	10					
8	Danger board	No.	12					
9	GI Pipe Earthing 40 Dia	No.	36					
10	50x6mm. G.I Flat	Kg.	2402.1	OSM				
11	Excavation of earth pit, fixing of earth electrode with supply of salt, charcoal etc and construction of brick masonry chamber as per REC standard	No	36					
12	Excavation of all type of soil and construction of RCC cable trench(M15 grade i.e 1:2:4) of internal width 1.5 mtr and internal height of 1.2 mtr. The RCC trench should have RCC wall of 200 mm and RCC base of 200 mm. The trench should have intermediate RCC wall of 200 mm thick for separating both the feeders. The trench should be covered by removable RCC cover slab of 150 mm thick. The trench should be filled by river sand for protection of cable.	Mtr	840					

13	Excavation of all type of soil and construction of RCC (M15 grade i.e 1:2:4) cable loop chamber of size 4mtr x4 mtr x3 mtr height. The RCC chamber should have RCC wall of 200 mm and RCC base of 200 mm 200 mm with removable RCC cover of 150 mm thick with proper lifting arrangement. The chamber should be filled by sand including looping of cable.	No	2					
14	Laying of cable in HDD method through HDPE pipe in all type of soil with T&P	Mtr	120	Supply rate not to quote	Supply rate not to quote			
15	Laying of single core HT cable in cable trench	Mtr	3360	Supply rate not to quote	Supply rate not to quote			
<i>DISMANTLING</i>								
1	Dismantling of OH line all fitting and its conductor of length 2.4 Km and Transportation of all dismantled materials to Central Store (Choudwar/ Bhubaneswar)	LS	1					
2	Sundries for whole work	LS	1					
Total (D)								

Rupees in words :-

.....
.....

Please refer Detail price schedule format of the Bid proposal sheets enclosed with this tender specification as Part-II, Section-VII.

Bidders will be permitted to only enter the item wise rates. No other modification shall be permitted. Bidders are required to sign each and every page and enclose the same in the Price Bid envelope for the package separately in Sealed Condition. One soft copy in CD shall also be submitted in the Price Bid.

(Signature of the Bidders)

Note :

- a) Unit rate is inclusive of all taxes and duties.
- b) Any discrepancy in unit rate and amount, unit rate stands.
- c) Any cell left bank shall be treated as inclusive.
- d) In the event of multiple supply and erection price quoted for the same item the lowest quoted supply and erection rate for the item shall be considered for evaluation.
- e) Any other miscellaneous materials required as per site condition to execute the work in complete manner which is not included in the above price schedule, has to be taken into consideration during quoting the price for each scope. The quoted sub scope price is considered to be inclusive of these extra required items
- f) If the quoted/evaluated rate of the bidder is less than 14.99% (without round off) of the tender estimated cost, then such a bid shall be rejected and tender shall be finalized basing on merits of rest bids i.e. for Rs. 100 estimated cost lowest accepted quoted/evaluated price is Rs. 85.01.
- g) Regarding less quoting of price bid w.r.t tender estimated cost as per amendment of OPWD code:

Additional Performance Security shall be obtained from the successful bidder who has quoted less bid price/ rate than the estimated cost put to the tender. In such an event only the successful bidder who has quoted less bid price shall have to furnish the exact amount of differential cost i.e. estimated cost put to tender minus the quoted amount as Additional Performance Security in shape of Demand draft / Term Deposit Receipt pledged in favour of CESU with validity same as the validity of CPBG for this tender within 7 (Seven) days from issuance of letter on L1 bidder before placement of work order, otherwise the bid shall be cancelled and security deposit (EMD) shall be forfeited and other consequential action may be taken against the bidder.

This security amount shall be released only after expire of validity of CPBG as mentioned in Clause 29.04 of GCC. The aforesaid amount shall not carry any interest payable to the bidder.

Transportation cost of OSM materials from any CESU central store to work site is to be borne by the contractor. Rate should be quoted accordingly including transportation. Transportation means transportation of OSM materials from CESU central store to divisional store to work site. The central store means central store of CESU situated at Unit-8, Bhubaneswar and Choudwar, Cuttack.

SECTION – IV

BID PROPOSAL

BID PROPOSAL LETTER

**Electrical Installation of Works under CENTRAL ELECTRICITY SUPPLY UTILITY
OF ODISHA**

Bidder's Name and Address :

(in case of JV/Consortium, Name of JV/Consortium)

Bid Proposal Reference:

Person to be contacted:

Designation:

Telephone No. :

E-mail :

Fax No. :

To,

Fax No:-

Name & Address of the Purchaser's designated Officer

Dear Sir,

We the undersigned bidder have read and examined the detailed specification and bidding documents for execution of various electrical installation works and do herewith submit our bid for the following package:

Sl. No.	Name of the Purchaser	Name of the Division	Package Code Reference

We declare the following:

1.0 PRICES AND VALIDITY :

All the prices and price components stated in our bid proposal are firm and not subject to any price adjustment, in line with the bidding documents. All the prices and other terms and conditions of this proposal are valid for a period of six months from the date of opening of the bids. We further declare that prices stated in our proposal are in accordance with "Instructions to Bidders" of bidding documents.

We do hereby confirm that our bid prices as quoted in attached Schedules include all import duties and levies including license fees lawfully payable by us on imported items and other taxes, duties and levies applicable on bought – out components, materials, equipment and other items and confirm that any such taxes, duties and levies additionally payable shall be to our account.

We confirm that the GST or any other similar taxes under the GST Act, as applicable, are included in our quoted bid price and there shall not be any liability on this account to the Purchasers. We understand that Purchasers shall, deduct such taxes at source as per the rules and issue TDS Certificate to us.

We confirm that, in our Bid Price, we have considered service tax in line with lawful prevalent practice.

Price components of various items are indicated in the B.O.Q. for the respective works.

We further declare that while quoting the price, the due credit under MODVAT scheme, re-christened as CENVAT scheme, as per relevant Government policies wherever applicable, have been taken into account.

We, having studied the bidding document in three volumes relating to taxes & duties and hereby, declare that if any income tax, charge on income tax or any other corporate tax is attracted under the law, we agree to pay the same.

We are aware that the Price schedules do not generally give a full description of the supplies to be made and work to be performed under each item and we shall be deemed to have read the Technical Specifications and other bidding documents and drawings to ascertain the full scope of work included in each item while filling in the related and prices. We agree that the entered rates and prices shall be deemed to include the full scope as aforesaid, including overheads and profits.

We understand that in the price schedule, if there is discrepancy between the unit price and total price, the same shall be corrected as per relevant provisions.

We declare that prices for items left blank in the schedules will be deemed to have been included in other items. The TOTAL for each schedule and the TOTAL of Grand summary shall be deemed to be the total price for executing the facilities and sections thereof in complete accordance with the contract, whether or not each item has been priced

2.0 CONSTRUCTION OF THE CONTRACT

2.01 We declare that we are making the offer on the basis of indivisible supply-cum- Erection contract on a single source responsibility basis.

3.0 BID SECURITY(EMD)

We are enclosing DD no. dtd. Amounting to Rs. (Rupees only)
issued by Bank branch, payable on Cuttack towards Bid
Security against our above Bid. The Bid Security amount has been computed by adding
the Estimated Cost of the package no.s for which we are submitting our bid.

4.0 EQUIPMENT PERFORMANCE GURANTEEE

We declare that the ratings and performance figures of the equipment to be furnished and erected by us are guaranteed. The Guaranteed particulars of different equipments are enclosed along with our bid.

5.0 BID PRICING

We further declare that the prices stated in our proposal are in accordance with your 'Instruction of Bidders of Conditions of Contract, Volume-1 of the bid documents.

6.0 PRICE ADJUSTMENT

We declare that all the prices and price components stated in our offer are on FIRM price basis.

7.0 QUALIFICATION

We confirm having submitted the Qualification Data in original plus one copy, as required by you under clause 6.0 'Invitation for Bids'. Further we have filled in the information for qualification requirements. In case you require any further information in this regard, we agree to furnish the same in time

8.0 DEVIATIONS

We declare that the contract shall be executed strictly in accordance with the specifications and documents except for the variations and deviations all of which have been detailed out exhaustively in the following schedules, irrespective of whatever has been stated to the contrary anywhere else in our proposal.

- a) Commercial Deviations Schedule
- b) Cost of withdrawal of Deviations on Critical
- c) Technical Deviation Schedule

We confirm that specified stipulation of following critical clauses are acceptable to us and no deviations / exceptions are taken on any account whatsoever in the following clauses :

- (a) Payment Terms :
- (b) Bid Guarantee :
- (c) Contract Performance Guarantee :
- (d) Liquidated Damages for delay :
- (e) Prices and Price Adjustment :
- (f) Guarantee / Warrantees :

8.03 Further, we agree that the additional conditions, deviations, if any, found in our bid proposal documents other than those stated in attached Deviation Schedules, save that pertaining to any rebates offered, shall not be given effect to.

9.0 ADDITIONAL INFORMATION

We have included with this proposal additional information listed. We further confirm that such additional information does not imply any additional deviation beyond those covered in appropriate schedules and in case of any contradiction between these additional information and other provisions of Bid, the latter prevail.

10.0 GUARANTEE DECLARATION

We guarantee that the equipment offered shall meet the rating and performance requirements stipulated in this specification. The Guarantee Declaration which shall attract levy of liquidated damages for non-performance is indicated in the relevant schedule.

11.0 BOUGHT-OUT AND SUB-CONTRACTED ITEM

We are furnishing herewith at appropriate Schedule, the detail of all major item of supply amounting to more than 10% of our Bid Price, which were propose subletting giving detail of the name of sub-contractor/sub-vendor and quantity for each item.

12.0 WORK SCHEDULE

If this proposal is accepted by you, we agree to submit engineering data, provide services and complete the entire work from time to time, in accordance with schedule indicated in the proposal. We fully understand that the time schedule stipulated in this proposal is the essence of the contract, if awarded. The completion schedule of the various major key phases of the work is indicated in the designated schedule.

13.0 CONTRACT PERFORMANCE GUARANTEE

We further agree that if our Bid is accepted we shall provide an irrevocable Bank guarantee towards Contract Performance Guarantee, of value equivalent to ten percent (10%) of the Contract Price initially valid up to the end of ninety (90) days after the end of the contract warranty period in the form of Bank Guarantee in your favour within 30 (thirty) days from the date of ‘Notice of Award of Contract’ and enter into a formal agreement with you immediately thereafter.

14.0 CHECK LIST

We have included a check list duly filled in Schedule. We understand that only this check list, commercial and technical deviation will be read out during the part-I bid opening before the bidders present.

(For Joint Venture/consortium only)

We, the Partners of joint venture/ consortium submitting their Bid, do agree and confirm that in case of Award of the Contract on the joint venture, we shall be jointly and severally responsible for the execution of the contract in accordance with contract terms and conditions.

We, hereby declare that only the persons or firms interested in this proposal as principals are named herein and that no other persons or firms other than those mentioned herein have any interest in this proposal or in the contract to be entered into if we are awarded the contract, and that this proposal is made without any connection with any other person, firm or party likewise submitting a proposal and that this proposal is in all respect for and in good faith, without collusion or fraud.

Dated thisday of20.....

Thanking you,

Yours faithfully,

(Signature of the Authorized Signatory)

Printed Name

Designation

Common Seal off the company.....

(To be signed by lead partner case of Joint Venture) Signature of other partner (s) in

Case of Joint Venture)

Printed Name

Designation

Date :

Place :

(Written power of Attorney of all signatories of the bid to commit the Bidder must be enclosed with the Bid. In case of joint venture, the written Power of Attorney of all signatories from respective partners must be enclosed with the Bid.

Applicable case of a Bid from Joint Venture of Firms. Further, the Bid must be signed by each partner of the Joint venture.

UNDERTAKING

Under the scope of the tender specification No _____, We M/s _____ do hereby undertake to Execute the Project covered under the above specification on Complete turnkey basis (Supply and Erection) and there shall be no deviation in any manner both for commercial & technical requirement as stipulated in bid documents. We understand that our price offer shall not be considered if we are found unsuitable in the minimum qualifying criteria.

Declare that, any other miscellaneous materials required as per site condition to execute the work in complete manner which is not included in the price schedule, has been taken into consideration during quoting the price for each scope. We understand that, the quoted sub scope price shall be considered as inclusive of these extra required items.

Declare that, in the event of any deviation to scope of work we will submit the rate analysis (both supply and erection), drawing (if required) for the additional items not included in the price schedule before execution of the deviated/extra work beyond the original scope of the work to the satisfaction of CESU.

(To be made in the company letter head)

Authorized Signatory and seal of the company

DECLARATION FORM

To

**Superintending Engineer (Elect.)
Electrical Circle CESU Cuttack**

Sir,

Having examined the above specifications together with the Tender terms and conditions referred to therein

1 – I / We the undersigned do hereby offer to supply the materials covered there on in complete shape in all respects as per the rules entered in the attached contract schedule of prices in the tender.

2 – I / We do hereby under take to have the materials delivered within the time specified in the tender.

3 – I / We do hereby guarantee the technical particulars given in the tender supported with necessary reports from concerned authorities.

4 – I / We do hereby certify to have purchased a copy of the tender specifications by remitting Cash / Demand draft & this has been duly acknowledged by you in your letter No.....Dt.....

5 – I / We do hereby agree to furnish the composite Bank Guarantee in the manner specified / acceptable CESU& for the sum as applicable to me / us as per clause No.29 of Section -II of this specification within thirty days of issue of Letter of intent / Purchase Order , in the event of purchase order being decided in my / us favour , failing which I / We clearly understand that the said LOI / P.O. shall be liable to be withdrawn by the purchaser

Signed this.....Day of 20...

Yours faithfully

(Signature of Bidder with Seal of Company)

(This form should be duly filled up by the Bidder & submitted along with the original copy of the Tender)

ANNEXURE – III

PROFORMA FOR CONTRACT PERFORMANCE BANK GUARANTEE

(To be executed on Rs. 100/- Non-judicial Stamp Paper purchased in the name of the BG Issuing Bank)

This Guarantee Bond is executed this ____ day of _____ by us,

Bank at _____
P.O. _____ P.S. _____ Dist _____ State _____

Whereas the **Superintending Engineer (Electrical) CENTRAL ELECTRICITY SUPPLY UTILITY OF ORISSA , Electrical Circle CESU Cuttack, Badambadi** a Body corporate/ Company (CESU), constituted under the Electricity Act, 2003. (here in after called “Purchaser”) has placed Work Order No. ____ Dt. _____ (hereinafter called “Agreement”) with M/s _____ (Lead partner) and M/s _____ (JV Partner(s)) (hereinafter called “the Contractor”) for supply and installation of _____ (description of the works) and whereas CESU has agreed (1) exempt the Contractor from making payment of security deposit, (2) to release 100% payment of the cost of materials as per the said agreement and (3) to exempt from performance guarantee on furnishing by the Contractor to the CESU a composite Bank Guarantee of the value of 10% (ten percent) of the Contract price of the said Agreement.

1. w, therefore, in consideration of the Purchaser having agreed (1) to exempt the Contractor for making payment of security deposit, (2) to release 100% payment to the Contractor and (3) to exempt from furnishing performance guarantee in terms of the said Agreement as aforesaid, we the _____ Bank, Address _____ (code No. _____) (hereinafter referred to as “the Bank”) do hereby undertake to pay to the Purchaser an amount not exceeding Rs. _____ (Rupees _____) only against any loss or damage caused to or suffered by the Purchaser by reason of any breach by the said Contractor(s) of any of the terms or conditions contained in the said Agreement.

2. , the ___ Bank do hereby undertake to pay the amounts due and payable under the guarantee without any demur, merely on a demand from the Purchaser stating that the amount claimed is due by way of loss or damage caused to or suffered by Purchaser by reason of any breach by the said Contractor(s) of any of the terms or conditions contained in the said Agreement or by the reason of any breach by the said Contractor’s failure to perform the said Agreement. Any such demand made on the Bank shall be conclusive as regards the amount due and payable by the Bank under this Guarantee. However, our liability under this guarantee shall be restricted to an amount not exceeding Rs. _____ (Rupees _____) only.

3. , the _____ Bank also undertake to pay to the Purchaser any money so demanded notwithstanding any dispute or dispute raised by the Contractor(s) in any suit or proceeding instituted/ pending before any court or Tribunal relating thereto our liability under this Agreement being absolute and irrevocable. The payment so made by us under this bond shall be valid discharge of our liability for payment there under and the Contractor(s) shall have no claim against us for making such payment.

We, the _____ Bank further agree that the guarantee herein contain shall remain in full force and effect during the period that would be taken for the performance of the said Agreement and it shall continue to remain in force endorsable till all the dues of the Purchaser under by virtue of the said Agreement have been fully paid and its claim satisfied or discharged or till Purchaser certifies that the terms and conditions of the said Agreement have been fully and properly carried out by the said Contractor(s) and accordingly discharge this guarantee and will not be revoked by us during the validity of the guarantee period.

Unless a demand or claim under this guarantee is made on us or with our Cuttack branch at

_____ (Name, address of the Cuttack branch and code No.) in writing on or before _____ (date) we shall be discharged from all liability under this guarantee thereafter.

5. We, the _____ Bank further agree that the Purchaser shall have the fullest liberty without our consent and without affecting in any manner our obligations hereunder to vary any of the terms and conditions of the said Agreement or to extend time of performance by the said Contractor(s) and we shall not be relieved from our liability by reason of any such variation or extension being granted to the said Contractor(s) or for any forbearance act or omission on part of the Purchaser or any indulgence by the Purchaser to the said Contractor(s) or by any such matter or thing whatsoever which under the law relating to sureties would but for this provisions have effect of so relieving us.

6. The Guarantee will not be discharged due to change in the name, style and constitution of the Bank and or Contractor(s).

7. We, the _____ Bank lastly undertake not to revoke this Guarantee during its currency except with the previous consent of the Purchaser in writing.

Dated _____ the _____ day of Two thousand _____.

Notwithstanding anything contained herein above.

Our liability under this Bank Guarantee shall not exceed Rs. _____ (Rupees _____) only.

The Bank Guarantee shall be valid up to _____ only.

Ourbranch at Cuttack (Name & Address of the Cuttack branch)

is liable to pay the guaranteed amount depending on the filing of claim and any part thereof under this Bank Guarantee only and only if you serve upon us at our Cuttack branch a written claim or demand and received by us at our Cuttack branch on or before Dt. _____ otherwise bank shall be discharged of all liabilities under this guarantee thereafter.

For _____

(indicate the name of the Bank)

N.B.:

(1) Name of the Contractor:

(Mention the name of JV partner(s), if any)

6. No. & date of the purchase order/ agreement:

7. Amount of P.O. :

8. Name of Materials :

9. Name of the Bank:

10. Amount of the Bank Guarantee:

11. Name, Address and Code No. of the Cuttack Branch of the Issuing Bank:

12. Validity period or date up to which the agreement is valid:

13. Signature of the Constituent Authority of the Bank with seal:

14. Name & addresses of the Witnesses with signature:

15. The Bank Guarantee shall be accepted only after getting confirmation from the respective Banks.

PROFORMA OF BANK GUARANTEE FOR ADVANCE PAYMENT

(To be stamped in accordance with Stamp Act)

(To be executed on Rs. 100/- Non-judicial Stamp Paper purchased in the name of the BG Issuing Bank)

Ref.....

Bank Guarantee No.....

Date

To

**The Superintending Engineer (Electrical)
CENTRAL ELECTRICITY SUPPLY UTILITY OF ODISHA
Electrical Circle CESU, Cuttack**

Dear Sir,

In consideration of CESU (hereinafter referred to as the 'Purchaser', which expression shall, unless repugnant to the context or meaning thereof include its successors, administrators and assigns) having awarded to M/s..... (Lead partner) and M/s..... (JV Partner(s)) (hereinafter referred to as the "Contractor" which expression shall unless repugnant to the context or meaning thereof, include its successors, administrators, executors and assigns), a Contract by issue of Purchaser's Letter of Award

No..... dated and the same having been acknowledged by the Contractor, resulting in a Contract bearing No..... dated valued at for (scope of work)..... (hereinafter called the 'Contract') and the Purchaser having agreed to make an advance payment to the Contractor for performance of the above Contract amounting (in words and figures) as an advance against Bank Guarantee to be furnished by the Contractor.

We,.....

(Name of the Bank)

having its Head Office at (hereinafter referred to as the 'Bank', which expression shall, unless repugnant to the context or meaning thereof , include its successors, administrators, executors and assigns) do hereby guarantee and undertake to pay the Purchaser, immediately on demand any or, all monies payable by the Contractor to the extent of as aforesaid at any time upto @ without any demur, reservation, contest, recourse or protest and / or without any reference to the Contractor. Any such demand made by the Purchaser on the Bank shall be conclusive and binding notwithstanding any difference between the Purchaser and the Contractor or

any dispute pending before any Court, Tribunal, Arbitrator or any other authority. We agree that the guarantee herein contained shall be irrevocable and shall continue to be enforceable till the Purchaser discharges this guarantee.

The Purchaser shall have the fullest liberty without affecting in any way the liability of the Bank under this guarantee, from time to time to vary the advance or to extend the time for performance of the Contract by the Contractor. The Purchaser shall have the fullest liberty without affecting this guarantee, to postpone from time to time the exercise of any powers.

Vested in them or of any right which they might have against the Contractor, and to exercise the same at any time in any manner, and either to enforce or to forbear to enforce any covenants, contained or implied, in the Contract between the Purchaser and the Contractor or any other course or remedy or security available to the Purchaser. The Bank shall not be released of its obligations under these presents by an exercise by the Purchaser of its liberty with reference to the matters aforesaid or any of them or by reason of any other act or forbearance or other acts of omission or commission on the part of the Purchaser or any other indulgence shown by the Purchaser or by an other matter or thing, whatsoever, which under law would, but for this provision have the effect of relieving the Bank.

Bank also agrees that the Purchaser at its option shall be entitled to enforce this Guarantee against the Bank as a principal debtor, in the first instance without proceeding against the Contractor and notwithstanding any security or other guarantee that the Purchaser may have in relation to the Contractor's liabilities.

Notwithstanding anything contained hereinabove our liability under this guarantee is limited to and it shall remain in force upto and including@and shall be extended from time to time for such period (not exceeding one year), as may be desired by M/s. on whose behalf this guarantee has been given.

The Guarantee will not be discharged due to change in the name, style and constitution of the Bank and or Contractor(s).

All other contentions in B.G will safe guard the interest of <Purchaser>.

We, the _____ Bank lastly undertake not to revoke this Guarantee during its currency except with the previous consent of the <Purchaser> in writing.

Dated _____ the _____ day of Two thousand _____.

Not withstanding anything contained herein above.

Our liability under this Bank Guarantee shall not exceed Rs. _____ (Rupees _____) only.

The Bank Guarantee shall be valid up to _____ only.

Ourbranch at Cuttack (Name & Address of the Cuttack branch) is liable to pay the guaranteed amount depending on the filing of claim and any part thereof under this Bank Guarantee only and only if you serve upon us at our Cuttack branch a written claim or demand and received by us at our Cuttack branch on or before Dt. _____ otherwise bank shall be discharged of all liabilities under this guarantee thereafter.

For _____

(indicate the name of the Bank)

Dated this Day of..... 20..... at

WITNESS

..... (Signature) (Signature)

..... (Name) (Name)

..... (Official Address) (Designation with Bank Stamp)
Attorney as per
Power of Attorney No.....
Dated

@ This date shall be ninety (90) days after the schedule date of completion of the Contract.

**FORM OF POWER OF ATTORNEY FOR JOINT VENTURE (On
Non –Judicial Stamp Paper of Appropriate value to be
Purchased in the Name of Joint Venture)**

KNOW ALL MEN BY THESE PRESENTS THAT WE, the Partners whose details are given hereunderhave formed a joint Venture under the laws of and having our Head Office (s) at(hereinafter called the ‘Joint Venture’ which expression shall unless repugnant to the context or meaning thereof, include its successors, administrators and assigns) acting through M/s...being the Partner in-charge do hereby constitute, nominate and appoint M/s..... a company incorporated under the laws ofand having its Head Office atas our duly constituted lawful Attorney (hereinafter called “Attorney” or “Authorised Representative” or “Partner in charge”) to exercise all or any of the powers for and on behalf of the joint venture in regard to specification No..... for construction of.....(name of the package) of (name of the <Purchaser>) (hereinafter called the “Purchaser”) and the bids for which have been invited by the Purchaser, to undertake the following acts :

8. To submit proposal and participate in the aforesaid Bid – Specification of the Purchaser on behalf of the “Joint Venture”.
9. To negotiate with Purchaser the terms and conditions for award of the contract pursuant to the aforesaid Bid and to sign the contract with the Purchaser for and on behalf of the “Joint Venture”.
10. To do any other act or submit any document related to the above.
11. To receive, accept and execute the contract for and on behalf of the “Joint Venture”.

It is clearly understood that the Partner in-charge (Lead Partner) shall ensure performance of the contracts(s) and if one or more Partner fail to perform their respective portion of the contracts(s), the same shall be deemed to be a default by all the partners.

It is expressly understood that this power of Attorney shall remain valid binding and irrevocable till completion of the Defect of liability period in terms of the contract.

The Joint Venture hereby agrees and undertakes to ratify and confirm all the whatsoever the said Attorney/ Authorised Representative / Partner in-charge quotes in the bid, negotiates and signs the Contract with the Purchaser and / or proposes to act on behalf of the Joint

Venture by virtue of this Power of Attorney and the same shall bind the Joint Venture as if done by itself.

IN WITNESS THEREOF the Partners Constituting the Joint Venture as aforesaid have executed these presents on this day of under the Common Seal (s) of their Companies

for and on behalf of
the Partners of Joint Ventures

.....
.....
.....

The Common Seal of the above Partners of the Joint Venture :

The Common Seal has been affixed there unto in the presence of :

WITNESS

12. Signature
Name
Designation
Occupation

13. Signature
Name
Designation
Occupation

FORM OF JOINT VENTURE/ CONSORTIUM AGREEMENT

(To be executed on non-judicial stamp paper of appropriate value to be purchased in the name of joint venture)

PROFORMA OF JOINT VENTURE AGREEMENT BETWEEN

..... AND FOR BID SPECIFICATION NO.
..... OF (Purchaser).

THIS Joint Venture Agreement executed on this day of.....Two thousand and between M/s. a company incorporated under the laws of and having its Registered Office at (hereinafter called the "Lead Partner" which expression shall include its successors, executors and permitted assigns), M/s. a company incorporated under the laws of and having its Registered Office at (hereinafter called the "Partner" which expression shall include its successors, executors and permitted assigns) and M/s. a company incorporated under the laws ofand having its Registered Office at (hereinafter called the "Partner" which expression shall include its successors, executors and permitted assigns) for the purpose of making a bid and entering into a contract (in case of award) against the Specification No for Construction of of (Purchaser)., a company incorporated under the.....having its. Registered Office at..... (hereinafter called the "Purchaser). '

WHEREAS the Purchaser invited bids as per the above mentioned Specification for the design manufacture, supply and erection, testing and commissioning of Equipment Materials stipulated in the bidding documents under subject Package for

AND WHEREAS Annexure -A (Qualification Requirement of the Bidder), Section-SCC, Vol.-IA, forming part of the bidding documents, stipulates that a Joint Venture of two or more qualified firms as partners, meeting the requirement of Annexure-A, Section SCC as applicable may bid, provided the Joint Venture fulfills all other requirements of Annexure-A, Section SCC and in such a case, the BID shall be signed by all the partners so as to legally bind all the Partners of the Joint Venture, who will be jointly and severally liable to perform the Contract and all obligations hereunder.

The above clause further states that the Joint Venture agreement shall be attached to the bid and the contract performance guarantee will be as per the format enclosed with the bidding document without any restriction or liability for either party.

AND WHEREAS the bid has been submitted to the Purchaser vide proposal No dated by Lead Partner based on the Joint Venture agreement between all the Partners under these presents and the bid in accordance with the requirements of Annexure-A (Qualification Requirements of the Bidders), Section -SCC has been signed by all the partners.

NOW THIS INDENTURE WITNESSETH AS UNDER:

In consideration of the above premises and agreements all the Partners to this Joint Venture do hereby now agree as follows:

16. In consideration of the award of the Contract by the Purchaser to the Joint Venture partners, we, the PartnerstotheJointVentureagreementdoherebyagreethatM/s shall act as Lead Partner and further declare and confirm that we shall jointly and severally be bound unto the Purchaser for the successful performance of the Contract and shall be fully responsible for the design, manufacture, supply, and successful performance of the equipment in accordance with the Contract.
17. In case of any breach of the said Contract by the Lead Partner or other Partner(s) of the Joint Venture agreement, the Partner(s) do hereby agree to be fully responsible for the successful performance of the Contract .and to carry out all the obligations and responsibilities under the Contract in accordance with the requirements of the Contract.
18. Further, if the Purchaser suffers any loss or damage on account of any breach in the Contract or any shortfall in the performance of the equipment in meeting the performance guaranteed as per the specification in terms of the Contract, the Partner(s) of these presents undertake to promptly make good such loss or damages caused to the Purchaser, on its demand without any demur. It shall not be necessary or obligatory for the Purchaser to proceed against Lead Partner to these presents before proceeding against or dealing with the other Partner(s).
19. The financial liability of the Partners of this Joint Venture agreement to the Purchaser, with respect to any of the claims arising out of the performance of non- performance of the obligations set forth in the said Joint Venture agreement, read in conjunction with the relevant conditions of the Contract shall, however, not be limited in any way so as to restrict or limit the liabilities of any of the Partners of the Joint Venture agreement.
20. It is expressly understood and agreed between the Partners to this Joint Venture agreement that the responsibilities and obligations of each of the Partners shall be as delineated in Appendix-I (*To be incorporated suitably by the Partners) to this agreement. It is further agreed by the Partners that the

above sharing of responsibilities and obligations shall not in any way be a limitation of joint and several responsibilities of the Partners under this Contract.

- 20. This Joint Venture agreement shall be construed and interpreted in accordance with the laws of India and the courts of Delhi shall have the exclusive jurisdiction in all matters arising there under.
- 21. In case of an award of a Contract, We the Partners to the Joint Venture agreement do hereby agree that we shall be jointly and severally responsible for furnishing a contract performance security from a bank in favour of the Purchaser in the forms acceptable to purchaser for value of 10% of the Contract Price in the currency/currencies of the Contract.
- 22. It is further agreed that the Joint Venture agreement shall be irrevocable and shall form an integral part of the Contract, and shall continue to be enforceable till the Purchaser discharges the same. It shall be effective from the date first mentioned above for all purposes and intents.

IN WITNESS WHEREOF, the Partners to the Joint Venture agreement have through their authorised representatives executed these presents and affixed Common Seals of their companies, on the day, month and year first mentioned above.

1. Common Seal of For Lead Partner
has been affixed in my/our presence
pursuant to the Board of Director's (Signature of authorised resolution
dated representative)
Name...
Signature.. Designation
.....
Name.....Common Seal of the company
Designation.....

2. Common Seal of.....For other Partners
has been affixed in my/our presence
pursuant to the Board of Director's (Signature of authorised
resolution dated representative)

Name... ..

Signature.. ..

Designation

.....

Name.....Common Seal of the company

Designation.....

WITNESSES :

1.

2.....

(Signature)

(Signature)

Name Name

.....

.....

(official address)

(Official address)

ANNEXURE – VII (A)

**LETTER OF COMPLIANCE OF QUALIFYING REQUIREMENT
(In case of Bidder being a Single Firm)**

To

**The Superintending Engineer (Electrical)
CENTRAL ELECTRICITY SUPPLY UTILITY OF ODISHA
Electrical Circle CESU, Cuttack**

Dear Sir,

I/We(Name of Bidder) are submitting the bid as a single firm. In support of our meeting the Qualifying requirements (QR) for bidders, stipulated in this tender specification, we furnish herewith the details/documents etc. as follows.

Table – A : Previous Works Experience :

Package Quoted for	Description of Proposed Works	Tender Qty	Qty Installed & Commissioned					Documents provided in proof of having executed the works during the relevant FY.
			Sl. No.	FY	Name of Client	WO Ref	Qty Installed	

Table – B : Average Annual Turnover :

Package Quoted for	Estimated Cost of the Package (Rs. in Lakh)	Annual Turnover Data (Rs. in Lakh)	
		Financial Year	Turnover (Rs. in Lakh)
		2016-17	
		2017-18	
		2018-19	
Total Estimated Cost of the packages quoted for		Average Turnover	

Table – C : Access to Credit Facility :

Package Quoted for	Estimated Cost of the Package (Rs. in Lakh)	Liquid Assets as on 31.01.2020		Credit Facility	
		Description	(Rs. in Lakh)	Description	(Rs. in Lakh)
		Cash at Bank		Un Utilized Cash Credit Balance	
		Short term Fixed Deposits		Others (Pl Specify)	
One fifth of the total Estimated Cost.		Total Liquid Assets		Total Credit Facility	

Note- 1 : Continuation sheets, of like size and format, may be used as per Bidder's requirements and annexed to this Schedule.

2 : Bidder are required to furnish all the above data against their liquid assets from their concerned Bank as on 31.01.2020 in Bank letter head only.

I/We declare that we are fulfilling the qualifying requirements as per clause no. 2.0 of Section – I, Invitation for Bids (IFB).

For & on behalf of (Name of the Bidder).

ANNEXURE – VII (B)

**LETTER OF COMPLIANCE OF QUALIFYING REQUIREMENT
(In case of Bidder being a Joint Venture / Consortium Firm)**

To

The **Superintending Engineer (Electrical)**
CENTRAL ELECTRICITY SUPPLY UTILITY OF ODISHA
Electrical Circle CESU Cuttack

Dear Sir,

I/We(Name of Bidder) are submitting the bid as a single firm. In support of our meeting the Qualifying requirements (QR) for bidders, stipulated in this tender specification, we furnish herewith the details/documents etc. as follows.

Name of the members of the JV / Consortium

- 1.
- 2.
- 3.

Table – A : Previous Works Experience : Name of the Member (any one member only)

Package Quoted for	Description of Proposed Works	Tender Qty	Qty Installed & Commissioned					Documents provided in proof of having executed the works during the relevant FY.
			Sl. No.	FY	Name of Client	WO Ref	Qty Installed	

Table – B : Average Annual Turnover : (All the members of JV/Consortium taken together)

Package Quoted for	Estimated Cost of the Package (Rs. in Lakh)	Annual Turnover (Rs. in Lakh)		Annual Turnover (Rs. in Lakh)		Total Annual Turnover (Rs. in Lakh)	
		Name of Member	1	Name of Member	2	Name of Member	2
		Financial Year	Turnover (Rs. in Lakh)	Financial Year	Turnover (Rs. in Lakh)	Financial Year	Turnover (Rs. in Lakh)
		2016-17		2016-17		2016-17	
		2017-18		2017-18		2017-18	
		2018-19		2018-19		2018-19	
		Total		Total		Total	
Total Estimated Cost of the packages quoted for						Average Turnover	

Table – C : Access to Credit Facility : (All the members of JV/Consortium taken together)

Package Quoted for	Estimated Cost of the Package (Rs. in Lakh)	Liquid Assets as on 31.01.2020		Credit Facility	
		Member	1	Member	1
		Description	(Rs. In Lakh)	Description	(Rs. in Lakh)
		Cash at Bank		Un Utilized Cash Credit Balance	
		Short term Fixed Deposits		Others (Pl Specify)	
		Total Liquid Assets		Total Credit Facility	
		Liquid Assets as on 31.01.2020		Credit Facility	
		Member	2	Member	2
		Description	(Rs. In Lakh)	Description	(Rs. in Lakh)
		Cash at Bank		Un Utilized Cash Credit Balance	
		Short term Fixed Deposits		Others (Pl Specify)	
		Total Liquid Assets		Total Credit Facility	

		Liquid Assets as on 31.01.2020		Credit Facility	
		Total for JV	3	Total for JV	3
		Description	(Rs. In Lakh)	Description	(Rs. in Lakh)
		Cash at Bank		Un Utilized Cash Credit Balance	
		Short term Fixed Deposits		Others (Pl Specify)	
One fifth of the total Estimated Cost.		Total Liquid Assets		Total Credit Facility	

Note-1: Continuation sheets, of like size and format, may be used as per Bidder's requirements and annexed to this Schedule.

Note- 2 : Bidder are required to furnish all the above data against their liquid assets from their concerned Bank as on 31.01.2020 in Bank letter head only.

I/We declare that we are fulfilling the qualifying requirements as per clause no. 2.0 of Section – I, Invitation for Bids (IFB).

For & on behalf of.....(Name of the Bidder).

(All members of JV / Consortium should sign).

Details of qualification and experience of key personnel proposed for carrying out the works

Sl. No	Name of Personnel	Degree/ Diploma	Branch	Year of Passing	Past Experience				
					From	To	Name of Employer	Position Held	Responsibilities/ Relevant experience

Date: (Signature)

Place: (Printed Name)

(Designation)

(Common Seal)

Note: 1. Continuation sheets, of like size and format, may be used as per Bidder's requirements and annexed to this Schedule.

1 In case of Joint Venture, separate sheet for each partner of Joint Venture should be used.

Details for sub-contracting elements amounting to more than 10% of bid price

Sl. No	Item Description	Qty. proposed to be bought-out/ Sub- contracted	Source of Supply
1.			
2.			
3.			
4.			
5.			

Date:

(Signature)

Place:

(Printed Name)

(Designation)

(Common Seal)

DETAILS OF COMMERCIAL DEVIATIONS

Bidder's Name & Address

To

**The Superintending Engineer (Electrical)
CENTRAL ELECTRICITY SUPPLY UTILITY OF ODISHA
Electrical Circle CESU Cuttack**

Dear Sirs,

Sub: Commercial Deviation for Construction of Name of the project.

The following are the Commercial Deviations and variations from and exceptions to the specifications and documents for the subject Project. These deviations and variations are exhaustive. Except for these deviations, the entire work shall be performed as per your specifications and documents

Volume/Clause	Ref./Page No.	As specified in the Specification	Commercial deviation and variation to the specification

Date:

(Signature)

Place:

(Printed Name)

(Designation)

(Common Seal)

Note: 1. Continuation sheets, of like size and format, may be used as per Bidder's requirements and annexed to this Schedule.

2. This will be read out during opening of Part-I Bid.

DETAILS TECHNICAL DEVIATIONS

To

**The Superintending Engineer (Electrical)
CENTRAL ELECTRICITY SUPPLY UTILITY OF ODISHA
Electrical Circle CESU Cuttack**

Dear Sirs,

Sub: Technical Deviation for Construction of Name of the Project.

The following are the Technical Deviations and variations from and exceptions to the specifications and documents for the subject package. These deviations and variations are exhaustive. Except for these deviations, the entire work shall be performed as per your specifications and documents

Volume/Clause	Ref./Page No.	As specified in the Specification / Relevant ISS	Technical deviation and variation to the specification

Date: (Signature)

Place: (Printed Name)

(Designation)

(Common Seal)

Note: 1. Continuation sheets, of like size and format, may be used as per Bidder's requirements and annexed to this Schedule.

21. The deviations and variations, if any, shall be brought out separately for each of the equipment.

22. This will be read out during opening of Part – I bid.

ADDITIONAL INFORMATION

Bidder's Name & Address

To

**The Superintending Engineer (Electrical)
CENTRAL ELECTRICITY SUPPLY UTILITY OF ODISHA
Electrical Circle CESU Cuttack**

Dear Sirs,

We have enclosed with our proposal the following additional information for the subject, package.

Sl. No	Brief description of Information	Ref.& Page No.

Date: (Signature)

Place: (Printed Name)

(Designation)

(Common Seal)

Note: Continuation sheets, of like size and format, may be used as per Bidder's requirements and annexed to this Schedule.

BOUGHT OUT & SUB CONTRACTED ITEMS

To

**The Superintending Engineer (Electrical)
CENTRAL ELECTRICITY SUPPLY UTILITY OF ODISHA
Electrical Circle CESU Cuttack**

Dear Sir,

We hereby furnish the details of the items/sub-assemblies to buy for the purpose of subject package

Sl. No	Item description	Source of Supply
	150X150mm RS Joist 12mtr long	
2.	232mm ² AAAC	
3.	400mm ² single core 33KV XLPE cable	
4.	33KV Pin Insulator (Polymer)	
5.	33KV GI Pin	
6.	33KV Polymer Disc Insulator, 70KN B&S	
7.	Single tension HW fittings for 232mm ² conductor	
8.	30KV, 10KA LA	
9.	33KV, 1250A Isolator with Polymer Post Insulator	

Date:

N.B. :- :- All the major materials having valid type test certificate from CPRI/ NABL accredited laboratory/ Govt approved laboratory within 5 year from the date of tender notification will be considered for the project.

(Signature of Bidder)

Place:

Dt

WORK COMPLETION SCHEDULE

To

**The Superintending Engineer (Electrical)
CENTRAL ELECTRICITY SUPPLY UTILITY OF ODISHA
Electrical Circle CESU Cuttack**

Dear Sir,

We hereby declare that, the work shall **be completed within 3 (Three) months from date of award of contract** as per following Work Completion Schedule which shall be followed by us

Sl. No	Description of Work	Period in Months(from the date of WO)
1	Completion of detailed engineering	
2	Procurement of raw materials	
3	Establishment of site office	
4	Erection (a) Commencement (b) Completion	
5	Testing & Pre-commissioning (a) Commencement (b) Completion	
6	Commissioning	

Date:

(Signature of bidder)

Place:

CHECK LIST

To

The Superintending Engineer (Electrical)
CENTRAL ELECTRICITY SUPPLY UTILITY OF ODISHA
Electrical Circle CESU, Cuttack

Dear Sir,

Sl. No.	Item Description	Status of the Submission of data	Remarks
1	2	3	4
1.	Bid Guarantee	Yes /No	If yes please give details No, amount, validity & date of issue.
2.	Qualifying Data	Yes /No	
3.	Commercial Deviation	Yes /No	
4.	Technical Deviation	Yes /No	
5.	Cost of withdrawn of deviations	Yes /No	
6.	Bid validity	Yes /No	If yes state here the period.
7.	Period of completion	Yes/No	If, yes please state here the period of completion.
8.	Additional information offered by bidder		State here briefly

N.B.:- The contents of this schedule will be read out during opening of Part-I Bid.

.....

Signature of Bidder

Date & Seal:

N.B :-

24. The bid guarantee one original shall be furnished in sealed envelope appropriately superscribed thereon.
25. All Schedules pertaining to prices (originals) shall be furnished in a sealed envelope duly superscribed thereon. Similarly one set of copies of such schedules shall be given in a separate sealed envelope (these are not to be opened during opening of Part –I).
26. All other schedules, one set original shall be submitted in sealed envelope (these are to be opened during Part –I bid opening)

Date:
Place:

(Signature)

PROFORMA OF INDEMNITY BOND TO BE EXECUTED BY THE CONTRACTOR FOR THE EQUIPMENT HANDED OVER BY <PURCHASER> FOR PERFORMANCE OF ITS CONTRACT

(Entire Equipment consignment in one lot)

(On non-Judicial stamp paper of appropriate Value)

INDEMNITY BOND

THIS INDEMNITY BOND is made this day of20 bya Company registered under the Companies Act, 1956/ Partnership Firm / Proprietary Concern having its Registered Office at(hereinafter called as ‘Contractor’ or “Obligor” which expression shall include its successors and permitted assigns) in favour of <Purchaser>, a <Company/ Body Corporate> incorporated under the <Companies Act, 1956 / Electricity Act-2003> having its <Registered Office/ Head Office> at < Address> and its project at (hereinafter called“<Purchaser>”Which expression shall include its successors and assigns) :

WHEREAS <Purchaser> has awarded to the Contractor a Contract for vide its Letter of Award / Contract No..... dated and its Amendment Noand Amendment No..... (applicable when amendments have been issued) hereinafter called the “Contract”) in terms of which <Purchaser> is required to handover various equipment to the Contractor for execution of the Contract.

And WHERAS by virtue of Clause No.....of the said Contract, the Contractor is required to executive an Indemnity Bond in favour of <Purchaser> for the Equipment handed over to it by <Purchaser> for the purpose of performance of the Contract / Erection portion of the Contract (hereinafter called the “Equipment”)

NOW THEREFORE, This Indemnity Bond witness as follows :

1. That in consideration of various equipment as mentioned in the Contract, valued at Rs... ..

(Rupees) handed over to the Contractor for the purpose of performance of the Contract, the Contractor hereby undertakes to indemnify and shall keep <Purchaser> indemnified, for the full value of the Equipment. The Contractor hereby acknowledges receipt of the Equipment as per despatch title documents handed over to the Contractor duly endorsed in their favour and detailed in the Schedule appended hereto. It is expressly understood by the Contractor that handing over of the despatch title documents in respect of the said Equipment duly endorsed by

<Purchaser> in favour of the Contractor shall be construed as handing over of the Equipment purported to be covered by such title documents and the Contractor shall hold such Equipment in trust as a Trustee for and on behalf of <PURCHASER> .

- a) That the Contractor is obliged and shall remain absolutely responsible for the safe transit / protection and custody of the Equipment at <PURCHASER> project Site against all risks, whatsoever, till the Equipment are duly used / erected in accordance with the terms of the Contract and the Plant / Package duly erected and commissioned in accordance with the terms of the Contract, is taken over by <PURCHASER> . The Contractor undertakes to keep <Purchaser> harmless against any loss or damage that may be caused to the Equipment.

The Contractor undertakes that the Equipment shall be used exclusively for the performance/

3. execution of the Contract strictly in accordance with its terms and conditions and no part of the equipment shall be utilized for any other work or purpose whatsoever. It is clearly understood by the Contractor that non-observance of the obligations under this Indemnity Bond by the Contractor shall inter-alia constitute a criminal breach of trust on the part of the Contractor for all intents and purpose including legal / penal consequences .
4. That <PURCHASER> is and shall remain the exclusive Owner of the Equipment free from all encumbrances, charges or liens of any kind, whatsoever. The Equipment shall at all times be open to inspection and checking by Engineer0in Charge / Engineer or other employees/agents authorised by him in this regard. Further, <Purchaser> shall always be free at all times to take possession of the Equipment in whatever form the Equipment may be, if in its opinion the Equipment are likely to be endangered, mis-utilised or converted to uses other than those specified in the Contract, by any acts of omission or commission on the part of the Contractor binds himself and undertakes to comply with the direction of demand of <Purchaser> to return the Equipment without any demur or reservation.
5. That this indemnity Bond is irrevocable. If at any time any loss or damage occurs to the Equipment or the same or any part thereof is misutilized in any manner whatsoever, then the Contractor hereby agrees that the decision of the Engineer-in-Charge/Engineer of <Purchaser> as to assessment of loss or damage to the Equipment shall be final and binding on the Contractor. The Contractor binds itself and undertakes to replace the lost and/or damaged Equipment at its own cost and/or shall pay the amount of loss of <Purchaser> without demur, reservation or protest. This is without prejudice to any other right or remedy that may be available to <Purchaser> against the Contractor under the Contract and under this Indemnity Bond.
6. NOW THE CONDITION of this Bond is that if the Contractor shall duly and punctually comply with terms and conditions of this Bond to the satisfaction of <Purchaser>, THEN, the above Bond shall be void, but otherwise, it shall remain in full force and virtue.

IN WITNESS WHEREOF, the Contractor has hereunto set its hand through its authorised representative under the common seal of the Company, the day, month and year first above mentioned.

SCHEDULE

Particulars of the Equipment handed over	Quantity	Particulars of Dispatch Title Documents		Value of the Equipment	Signature of attorney (authorized representative as a token of receipt)
		RR / GR / No. / Date of Bill of Lading	Carrier		

For an on behalf of M/s.....

WITNESS

1. 1. Signature Signature

2. Name Name

3. Address..... Designation

Authorised representative *

2. 1. Signature.....

2. Name..... (Common Seal in case of Company)

Address

* Indemnity Bonds are to be executed by the authorised person and (i) in case of Contracting Company under common seal of the Company or (ii) having the Power of Attorney issued under common seal of the company with authority to execute Indemnity Bonds, (iii) In case of (ii), the original Power of Attorney if it is specifically for this Contract or a Photostat copy of the Power of Attorney if it is General Power of Attorney and such documents should be attached to Indemnity Bond.

PROFORMA OF INDEMNITY BOND TO BE EXECUTED BY THE CONTRACTOR FOR THE EQUIPMENT HANDED OVER IN INSTALMENTS BY <PURCHASER> FOR PERFORMANCE OF ITS CONTRACT

(On non-Judicial stamp paper of appropriate Value)

INDEMNITY BOND

THIS INDEMNITY BOND is made this day of20..... bya Company registered under the Companies Act, 1956/ Partnership Firm / Proprietary Concern having its Registered Office at(hereinafter called as ‘Contractor’ or “Obligor” which expression shall include its successors and permitted assigns) in favour of <Purchaser>, a <Company/ Body Corporate> incorporated under the <Companies Act, 1956/ Electricity Act-2003> having its <Registered Office/ Head Office> at <Address> and its project at (hereinafter called “<PURCHASER> ”Which expression shall include its successors and assigns) :

WHEREAS <PURCHASER> has awarded to the Contractor a Contract for..... vide its Letter of Award / Contract No..... dated and its Amendment No and Amendment No..... (applicable when amendments have been issued) hereinafter called the “Contract”) in terms of which <PURCHASER> is required to handover various equipment to the Contractor for execution of the Contract.

And WHERAS by virtue of Clause No..... of the said Contract, the Contractor is required to executive an Indemnity Bond in favour of <PURCHASER> for the Equipment handed over to it by <PURCHASER> for the purpose of performance of the Contract / Erection portion of the Contract (hereinafter called the “Equipment”)

NOW THEREFORE, This Indemnity Bond witnessh as follows :

1. That in considerztion of various equipment as mentioned in the Contract, valued at Rs... (Rupees) handed over to the Contractor for the purpose of performance of the Contract, the Contractor hereby undertakes to indemnify and shall keep <PURCHASER> indemnified, for the full value of the Equipment. The Contractor hereby acknowledges receipt of the Equipment as per dispatch title documents handed over to the Contractor duly endorsed in their favour and detailed in the Schedule appended hereto. It is expressly understood by the Contractor that handing over of the despatch title documents in respect of the said Equipment duly endorsed by <PURCHASER> in favour of the Contractor shall be construed as handing over of the Equipment purported to be covered by such title documents and the Contractor shall hold such Equipment in trust as a Trustee for and on behalf of <PURCHASER> .

- That the Contractor is obliged and shall remain absolutely responsible for the safe transit / protection and custody of the Equipment at <PURCHASER> project Site against all risks, whatsoever, till the Plant / Package duly erected and commissioned in accordance with the terms of the Contract, is taken over by <PURCHASER> . The Contractor undertakes to keep <PURCHASER> harmless against any loss or damage that may be caused to the Equipment.
- The Contractor undertakes that the Equipment shall be used exclusively for the performance / execution of the Contract strictly in accordance with its terms and conditions and no part of the equipment shall be utilised for any other work or purpose, whatsoever. It is clearly understood by the Contractor that non-observance of the obligations under this Indemnity Bond by the Contractor shall inter-alia constitute a criminal breach of trust on the part of the Contractor for all intents and purpose including legal / penal consequences.
- That <PURCHASER> is and shall remain the exclusive Owner of the Equipment free from all encumbrances, charges or liens of any kind, whatsoever. The Equipment shall at all time be open to inspection and checking by Engineer-in-Charge / Engineer or other employees / agents authorized by him in this regard. Further , <PURCHASER> shall always be free at all times to take possession of the Equipment in whatever from the Equipment may be, if in its opinion the Equipment are likely to be endangered, mis-utilised or converted to use other than those specified in the Contract, by any acts of omission or commission on the part of the Contractor or any other person or on account of any reason, whatsoever, and the Contractor binds himself and undertakes to comply with the directions of demand of <PURCHASER> to return the equipment without any demur or reservation.
- That this Indemnity Bond in irrevocable. If at any time any loss or damage occurs to the Equipment or the same or any part thereof is mis-utilized in any manner whatsoever, then the Contractor hereby agrees that the decision of the Engineer-in-Charge / Engineer of <PURCHASER> as to assessment of loss or damage to the Equipment shall be final and binding on the contractor. The Contractor binds itself and undertakes to replace the lost and / or damaged Equipment as its own cost and / or shall pay the amount of loss to <PURCHASER> without any demur, reservation or protest. This is without prejudice to any other right to remedy that may be available to <PURCHASER> against the Contractor under the Contract and under this Indemnity Bond.
- NOW THE CONDITION of this Bond is that if the Contractor shall duly and punctually comply with the terms and conditions of this Bond to the satisfaction of <PURCHASER> , then above Bond shall be void, but otherwise, it shall remain in full force and virtue.

IN WITNESS WHEREOF, the Contractor has hereunto set its hand through its authorized representative under the common seal of the Company, the day, month and year first above mentioned.

SCHEDULE No. 1

Particulars of the Equipment handed over	Quantity	Particulars of Despatch Title Documents		Value of the Equipment	Signature of Attorney (authorized representative as a token of receipt)
		RR / GR / No. / Date of Bill of Lading	Carrier		
(Please	number	subsequent	schedules)		

For an on behalf of M/s.....

WITNESS

1. 1. Signature Signature
2. Name Name
3. Address..... Designation

SELF DECLARATION FORM

Name Of The Purchaser :.....

Tender No :.....

Sir,

- I/We the undersigned do hereby declare that, I/We have never been blacklist and/or there were no debarring actions against us for any default in supply of material/ equipments or in the performance of the contract entrusted to us in any of the electricity utilities of India.
- In the event of any such information pertaining to the aforesaid matter found at any given point of time either during the course of the contract or at the bidding stage, may bid/ contract shall be liable for truncation/ cancellation /termination without any notice at the sole discretion of the purchaser.

Place :

Date :

Yours faithfully,

Signature of the bidder with seal.
(This form shall be duly filled-up and signed
by the bidder and submitted along with
the original copy of the bid).

**TENDER DOCUMENTS
FOR
Re-construction and shifting of 33KV Line with UG Cable
(CRR-I & CRR – II 33KV feeder) existing inside the
premises of STP-II, Matgajpur of OISIP due to construction
of Sewage treatment plant under CMC, Cuttack under CDD
No – II, Cuttack on partial turnkey basis.**

Volume – II

Technical Bid



Tender Specification No CESU / o6 /2019-20

CENTRAL ELECTRICITY SUPPLY UTILITY OF ORISSA (CESU)

OFFICE OF THE SUPERINTENDING ENGINEER (ELECT)

ELECTRICAL CIRCLE CUTTACK

PH – 0671-2324223

CENTRAL ELECTRICITY SUPPLY UTILITY OF ODISHA

(CESU)

**OFFICE OF THE SUPERINTENDING ENGINEER (ELECT)
ELECTRICAL CIRCLE CUTTACK**

TELEPHONE: (0671) - 2324223, FAX-0671-2310703

Email- sectc@cescoorissa.com

BIDDING DOCUMENTS

BID DOCUMENTS CONSIST OF THE FOLLOWING VOLUMES

VOLUME- I (COMMERCIAL REQUIREMENTS)

- | | | | |
|------------------|---|---|-------|
| 1. Section – I | :-Invitation For Bids | - | IFB |
| 2. Section – II | :-General Terms and Conditions
of the Contract | - | GTCC |
| 3. Section – III | :-Price Schedule Format | - | PSF |
| 4. Section – IV | :-BID Proposal Letter | - | BPL |
| 5. Section – V | :-ANNEXURE | - | ANNEX |

VOLUME-II (TECHNICAL REQUIREMENTS)

- | | |
|-------------------|-------------------------------------|
| 1. Section – I | :-General |
| 2. Section – II | :- 33KV Conductor |
| 3. Section – III | :- R.S Joist Pole |
| 4. Section – IV | :- Insulators & hardware fittings |
| 5. Section – V | :- 33 kV Isolator with earth switch |
| 6. Section – VI | :- Lightning Arrestor |
| 7. Section – VII | :- 33kV UG Cable |
| 8. Section – VIII | :- HT cable joints and terminals |
| 9. Section – IX | :- Cable Laying Methodology |
| 10. Section – X | :- Proposed route map |

VOLUME- III (BID PROPOSAL SHEETS)

- | | |
|-------------|-------------------------|
| 1. PART – A | :-PRICE SCHEDULE SHEETS |
| 2. PART – B | :-BILL OF QUANTITIES |

Section-I

General

1.0. INTRODUCTION:

The CENTRAL ELECTRICITY SUPPLY UTILITY OF ODISHA,

Hereinafter called CESU/OWNER is inviting Bids in respect of Total Partial Turnkey Package for Re-construction and shifting of 33KV Line with UG Cable (CRRI-I & CRRI – II 33KV feeder) existing inside the premises of STP-II, Matgajpur of OISIP due to construction of Sewage treatment plant under CMC, Cuttack under CDD No – II, Cuttack, Testing and Commissioning as per the Scope detailed in the Bid Documents.

2.0. NATURE OF WORK:

The work covered by this Specification is for Re-construction and shifting of 33KV Line with UG Cable as specified herein and in the attached Schedules.

3.0. SCOPE:

Re-construction and shifting of 33KV Line with UG Cable. The work Involves:

- e) Construction of 2nos. 4pole structure with 12mtr. Long 150x150 RS Joist and AB Switch 5Nos.
- f) Construction of 0.1CKm 33KV linking line
- g) Laying of 400mm² single core cable 3680Mtr.
- h) Cable termination 8Nos.
- i) Construction of cable trench with inside space 1000mm. And wall width 250mm with covering of re-openable slab (Laying in one layer) – 840mtr.
- j) Laying with HDD method with covering HDPE pipe – 30mtr.
- k) Construction of loop chamber – 2nos.

Dismantle of Materials

- I. Right of Way charges like crop compensation, tree cutting, making temporary road for transportation, fixing of cable marker etc. during construction work – 3680 Mrt.
- II. Dismantling of 9mtr. Long PSC Pole with all fittings – 6nos.
- III. Dismantling of 9mtr. Long PSC Pole DP with all fittings – 2nos.
- IV. Dismantling of Conductor and fittings from tower with earth wire – 2.4Km
- V. Transportation of dismantled materials to Central Store

4.0. Technical specifications for supply of materials:

The supply of all the required materials on PARTLY TURN KEY is in the scope of the contractor. The technical specifications for the major materials are mentioned in different sections of this volume.

Methodology:

The complete procedures for the execution of the project are explained herewith in details.

SURVEY (detail & check, estimating of quantities & spotting of towers/ Poles).

Walk over survey, The odolite survey, profile survey (if required) shall have to be carried out to

establish the route alignment by the contractor for new 33 KV lines. If the line is passing by any Municipal / NAC areas, permission from local bodies / NH authority / State high way authority has to be obtained prior to execution of work.

A. CHECK SURVEY

The contractor shall undertake the check survey during execution on the basis of the alignment profile drawing and tower schedule approved by the concerned authority. During check survey, minor changes due to RoW or any other unavoidable constraints, the contractor may have to change the said alignment after obtaining prior approval from the authority.

B. GENERAL:

Preliminary route alignment in respect of the proposed 33KV transmission lines has been fixed by CESU subject to alteration of places due to way leave or other unavoidable constraints. The Right of way shall be solved by the contractor and all expenses there of shall be borne by him. However, CESU shall render all helps in co-ordination with law and order department for solving the same. Involvement of forest land should be restricted as far as possible.

Provisional quantities/numbers of different types of tower structures, Length cables, Conductors etc have been estimated and indicated in the BOQ Schedule given. However final quantities for work shall be as determined by the successful bidder, on completion of the detail survey, preparation of route profile drawing and designing of the different items as elaborated in the specification and scope of work.

The contractor shall undertake detailed survey on the basis of the tentative alignment fixed by CESU. The said preliminary alignment may, however, change in the interest of economy to avoid forest and hazards in work. While surveying the alternative route the following points shall be taken care of by the contractor.

- a. The line is as near as possible to the available roads in the area and the route is straight and short as far as possible.
- b. Good farming areas, religious places, forest, civil and defense installations, aerodromes, public and private premises, ponds, tanks, lakes, gardens, and plantations are avoided as far as practicable.
- c. The line should be far away from telecommunication lines as reasonably possible. Parallelism with these lines shall be avoided as far as practicable.
- d. Crossing with permanent objects are minimum but where unavoidable preferably at right angles.
Difficult and unsafe approaches are avoided.
- i. The survey shall be conducted along the approved alignment only.
- ii. For river crossing/ Crossing of drains : Taking levels at 25 meter interval on bank of river and at 50 meter interval at bed of river so far as to show the true profile of the ground and river bed railway/road bridge, road The levels shall be taken at least 100 m. on either side of the crossing

alignment. Both longitudinal and cross sectional shall be drawn preferably to a scale of 1:2000 at horizontal and 1:200 vertical.

- iii. Route of Cable shall be surveyed thoroughly and marked in the drawing for laying of cable in HDD method.

After completing the detailed survey, the contractor shall submit the final profile and tower schedule (with no. of stay or structure) and Cable layout for final approval of CESU. To facilitate checking of the alignment, suitable reference marks shall be provided. For this purpose, concrete pillars of suitable sizes shall be planted at all angle locations and suitable wooden/iron pegs shall be driven firmly at the intermediate points. The contractor shall quote his rate covering these involved jobs.

E. PROFILE PLOTTING AND TOWER SPOTTING:

With the help of sag template, final tower location shall be marked on the profiles and while locating the tower on survey chart, the following shall be kept in mind:

SPAN

- a. The span should be as near as possible to the basic design span so that the minimum ground clearance should not less than 7.0 mts in cross country at maximum sag condition.
- b. In urban areas minimum in every Half KM one angle tower (Cut point) has to be provided.
- c. In other areas in every 1.5 KM one angle tower (Cut point) may be provided.

II. WAY-LEAVE AND TREE CUTTING

- Way-leave permission which may be required by the contractor shall be arranged at his cost. While submitting final-survey report for approval, proposals for way-leave right of way shall be submitted by the contractor. CESU may extend help to get the permission within a reasonable time as mutually agreed upon for which due notice shall be given by the contractor in such a way so that obtaining permission from appropriate authority do not hinder the continued and smooth progress of the work.
- CESU shall not be held responsible for any claim on account of damage done by the contractor or his personnel to trees, crops and other properties.
- The contractor shall take necessary precaution to avoid damage to any ripe and partially grown crops and in the case of unavoidable damage, the CESU shall be informed and necessary compensation shall be paid by the contractor.
- All the documents required for application to the statutory authorities must be prepared by the contractor & submitted to the CESU for submission of the application towards approval of NH authority, State authority etc. However, the responsibilities lie with the contractor to get the clearance.
- Trimming of tree branches or cutting of a few trees en-route during survey is within the scope of survey to be done by the contractor. Contractor shall arrange for necessary way-

leave and compensation in this regard. During erection of the line, compensation for tree cutting, damage caused to crops, actual cutting and falling of the tree including way-leave permission for such route clearance shall be arranged by the contractor at his cost. The contractor will identify the number of trees and detail of obstructions to be removed for erection of the line and intimate CESU well in advance in case of any help. Other related works like construction of temporary approach roads, etc. as required, shall be done by the contractor and the same will lie within the scope of contractors work and such cost shall be considered to be included in the rates quoted by him.

III. SUB-SOIL INVESTIGATION

(In case of river crossing locations/other locations where PILLING may be required)

☑To ascertain soil parameters in locations where higher tower will be required in order to get adequate ground clearance (Either 220KV or 132 KV tower normally used in OPTCL) the contractor shall carry out sub-soil investigation through reputed soil consultant as approved by the CESU.

IV. TEST BORING

- The boring shall be done at the major locations / crossing of special towers.
- The test boring through different layers of all kinds of soil shall have to be carried out by the contractor through the approved soil consultant as briefed hereunder.
 - a. Method of boring, selection of sampling tubes, sampling, recording of boring, protection, handling, leveling of samples shall be done as specified in IS: 1892/1977, if any, after obtaining approval from the CESU. The contractor shall furnish in the soil report in details, the equipment and method of boring actually adopted.
 - b. Depth of boring below ground level shall be normally 15Mts to 25 Mts., in river crossing locations.
 - c. Undisturbed soil samples shall be obtained for the initial 4M depths at every 1.5M interval and at change of strata. After these initial 4M depths, samples shall be obtained preferably at every 3M or where there is a change of strata, or as advised by the CESU.
 - d. In case collection of undisturbed samples becomes difficult/impossible detailed soil testing on remolded soil samples is to be considered and reported in the soil report.
 - e. Standard penetration test as per IS: 2131 with latest amendment shall have to be conducted in different strata and recorded properly.
 - f. The ground water table shall be recorded during boring operation and incorporated in the bore log. If possible, the position of the water table just after monsoon period be ascertained from local people and indicated in the report.

W. LABORATORY TESTS OF SOIL SAMPLES

- The method and procedure of testing of soil sample to be followed shall be as per relevant IS codes. Adequate volume of test samples shall be collected from site.
- Sample shall be properly sealed immediately after recovery as specified in relevant IS code and transported carefully to laboratory for carrying out necessary laboratory tests to find out the following parameters of every samples. Data and time of taking of the sample shall be recorded in the test report.
 - a. Natural moisture content, Liquid limit, Plastic limit and Plasticity index.
 - b. Bulk, dry and buoyant density of soil.
 - c. Void ratio (e-long P curve shall be submitted)
 - d. Specific gravity.
 - e. Grain size distribution (Sieve analysis and hydrometer analysis)
 - f. Tri-axial and consolidation tests (consolidation undrained and consolidated drained as and when application in table, graph and drawing.
 - g. Permeability tests
 - h. Chemical tests for both water and soil samples at different layers.
 - i. Evaluation of safe bearing capacity at different strata for square footings shall be done for a maximum value of 25-mm. settlements.
 - j. At depths from 3M to 25 different strata.
 - k. Factor of safety shall be considered as 3 for evaluation of safe bearing capacity of soil.
 - l. Unconfined compression test for cohesive soil if encountered.

VI. REPORT ON SUB-SOIL INVESTIGATION

- The contractor shall make analysis of soil samples as collected by him in the field and approved by the CESU. A comprehensive report shall have to be prepared by him, finally incorporating all the data collected in proper tabular forms or otherwise along with the analysis.
- Recommendations shall include but not be limited to the following items (a) to (o)
 - a) Geological information of the region.
 - b) Past observations and historical data, if available, for the area or for other areas with similar profile or for similar structures in the nearby area.
 - c) Procedure of investigations employed at field as well as laboratory test results.
 - d) Net safe bearing capacity and settlement computation for different types of foundations for various widths and depths of tower and building.

- e) Recommendations regarding stability of slopes, during excavations etc.
- f) Selection of foundation types for towers, transformers and buildings etc.
- g) Bore hole and trial pit logs on standard Proforma showing the depths, extent of various soil strata etc.
- h) A set of longitudinal and transverse profiles connecting various boreholes shall be presented in order to give a clear picture of the site, how the soil/rock strata are varying vertically and horizontally.
- i) Modulus of sub grade reaction from plate load test for pressure ranging up to 6 kg/cm². The recommended values shall include the effect of size, shape and depth of foundations.
- j) Deformation modulus from plate load test in various test depth/stratification.
- k) Coefficient of earth pressure at rest.
- l) Depth of ground water table and its effect on foundation design parameters.
- m) Recommendations regarding stability of slopes, during shallow excavation etc.
- n) Whether piles are necessary or not. If piles are necessary, recommendation of depth, diameter and types of piles to be used.
- o) Recommendations for the type of cement to be used and any treatment to the underground concrete structure based on the chemical composition of soil and sub-soil water.

Section-II

33kV Conductors

TECHNICAL SPECIFICATION FOR 33kV ACSR Panther Conductors

1.0 SCOPE

This section covers design, manufacture, testing before dispatch, packing, supply and delivery F.O.R destination of kMs of "PANTHER" ACSR Conductor of size 30/7/3.00mm.

STANDARDS

The Conductor shall also comply in all respects with the IS:398 (Part-II) 1996 with latest amendments unless otherwise stipulated in this specification or any other International Standards which ensure equal or higher quality material.

The ACSR Conductor shall also conform to the following standards

Sr. No.	Indian Standards	Title	International Standards
1	IS : 209	Specification BS : 3436 for zinc	
2	IS : 398 Part I to V As relevant)	Specification IEC : 209 for aluminum BS : 215 conductor for (Part-II)overhead Transmission purpose.	
3	IS : 1778	Reels and BS : 1559 Drums for Bare Conductors	
4	IS : 1521	Method of Ten-ISO / R 89 site testing of Steel wire.	
5	IS : 2629	Recommended practice for Hot dip galvanising of Iron and Steel.	
6	IS : 2633	Method of Testing uniformity of coating of zinc coated articles.	
7	IS : 4826	Galvanised coating quoting on round steel wire.	ASTM A – 472 729
8	IS : 6745	Methods of determination of weight of zinc coating of zinc coated iron and steel articles.	BS : 443
9	IS : 8263	Method of radio Interference tests on high voltage Insulators	IEC:437 NEMA : 107
10	IS : 1841	EC grade aluminium rod produced by rolling (Second Revision)	
6.	IS : 5484EC	grade aluminium rod produced by continuous casting and rolling (first revision)	

However, in an event where the supplier offers ACSR conductor conforming to standards other than the above, then the salient points of comparison between the standards adopted and the standards quoted herein shall be detailed in relevant schedule with an authenticated English version of such standards referred to.

GENERAL TECHNICAL REQUIREMENTS

The General Technical Requirements are given in Clause-31.0. The Conductor shall conform to these technical requirements.

MATERIALS/WORKMANSHIP

- 3.1.1 The material offered shall be of best quality and workmanship. The steel cored aluminium conductor strands shall consist of hard drawn aluminium wire manufactured from not less than 99.5% pure electrolytic aluminium rods of E.C. grade and copper content not exceeding 0.04%. They shall have the same properties and characteristics as prescribed in IEC:889-1987. The steel wire shall be made from material produced either by the acid or basic open hearth process or by electric furnace process or basic oxygen process. Steel wire drawn from Bessemer Process shall not be used.
- 3.1.2 The steel wires shall be evenly and uniformly coated with electrolytic high grade, 99.95% purity zinc complying with the latest issue of IS-209 for zinc. The uniformity of zinc coating and the weight of coating shall be in accordance with standard specification and shall be tested and determined according to the latest IS-2633 or any other authoritative standard.
- 3.1.3 The steel strands shall be hot dip galvanized and shall have a minimum zinc coating of 250 gm/Sq.m after stranding. The coating shall be smooth, continuous, and of uniform thickness, free from imperfections and shall withstand minimum three dips after stranding in standard preece test. The steel strands shall be preformed and postformed in order to prevent spreading of strands in the event of cutting of composite core wire. The properties and characteristics of finished strands and individual wires shall be as prescribed in IEC:888-1987.

4.0 CONDUCTOR PARAMETERS

- 4.1 The Parameters of individual strands and composite steel cored aluminium conductor, shall be in accordance with the standard specification values.
- 4.2 Creep in a conductor is attributed partly due to settlement of strands and partly due to non-elastic elongation of metal when subjected to load. The manufacturer of conductor shall furnish the amount of creep which will take place in 10, 20, 30, 40 and 50 years along with the supporting calculations. The calculations should be based on everyday temperature of 32 °C and everyday tension of 25% of UTS of conductor of 33 KV Lines.

TOLERANCES

The tolerances on standard diameter of Aluminium and Steel wires shall be as detailed in specific technical requirements.

The cross-section of any wire shall not depart from circularity by more than an amount corresponding to the tolerance on the standard diameter.

The details of diameters, lay ratios of Aluminium and steel wires shall be in accordance with the standard specification.

SURFACE CONDITIONS

All aluminum and steel strands shall be smooth, and free from all imperfections, spills/and splits. The finished conductor shall be smooth, compact, uniform and free from all imperfections including spills and splits, die marks, scratches, abrasions, scuff marks, kinks (protrusion of wires), dents, pressmarks, cut marks, wire cross-over, over-riding looseness, pressure and/or unusual bangle noise on tapping, material inclusions, white rust, powder formation or black spots (on account of reaction with trapped rain water etc.), dirt, grit, etc. The surface of conductor shall be free from points, sharp edges, abrasions or other departures from smoothness or uniformity of surface contour that would increase radio interference and corona losses. When subjected to tension upto 50% of the ultimate strength of the conductor, the surface shall not depart from the cylindrical form nor any part of the component parts or strands move relative to each other in such a way as to get out of place and disturb the longitudinal smoothness of the conductor.

JOINTS IN WIRES

Aluminium wires

During stranding, no aluminium wire welds shall be made for the purpose of achieving the required conductor length.

No joint shall be permitted in the individual aluminium wires in the outer most layer of the finished Conductor. However, joints in the 12 Wire & 18 wire inner layer of the conductor are permitted but these joints shall be made by the cold pressure butt welding and shall be such that no two such joints shall be within 15 meters of each other in the complete stranded conductor.

Steel wires

There shall be no joints in finished steel wires forming the core of the steel reinforced aluminium conductor.

STRANDING

The wires used in construction of the stranded conductor, shall, before stranding, satisfy all requirements of IS-398 (Part-II)1996.

In all constructions, the successive layers shall be stranded in opposite directions. The wires in each layer shall be evenly and closely stranded round the underlying wire or wires. The outer most layer of wires shall have a right hand lay. The lay ratio of the different layers shall be within the limits as per standard specification.

PACKING

The conductor shall be supplied in non-returnable strong wooden drums provided with lagging of adequate strength constructed to protect the conductor against any damage and Displacement during transit, storage and subsequent handling and stringing operations in the field. The drums shall generally conform to IS-1778-1980 and latest version except as otherwise specified hereinafter. The conductor drums shall be adequate to wind one standard length of 2500 meters PANTHER ACSR conductor.

The drums shall be suitable for wheel mounting and for letting off the conductor under a minimum controlled tension of the order of 5KN. The conductor drums shall be provided with necessary clamping arrangements so as to be suitable for tension stringing of power conductor.

The bidders should submit their drawings of the conductor drums along with the bid. After placement of letter of intent the supplier shall submit four copies of fully dimensioned drawing of the drum for purchaser's approval. After getting approval from the purchaser, supplier shall submit 30 more copies of the approved drawings for further distribution and field use at Board's end.

All wooden components shall be manufactured out of seasoned soft wood free from defects that may materially weaken the component parts of the drums. Preservative treatment for anti-termite/anti fungus shall be applied to the entire drum with preservatives of a quality which is not harmful to the conductor.

All flanges shall be 2-ply construction with 64 mm thickness. Each ply shall be nailed and clenched together at approximately 90 degrees. Nails shall be driven from the inside face of the flange, punched and then clenched on the outer face. Flange boards shall not be less than the nominal thickness by more than 2 mm. There shall not be less than 2 nails per board in each circle.

The wooden battens used for making the barrel of the conductor shall be of segmental type. These shall be nailed to the barrel supports with at least two nails. The battens shall be closely butted and shall provide a round barrel with smooth external surface. The edges of the battens shall be rounded or chamfered to avoid damage to the conductor.

Barrel studs shall be used for construction of drums. The flanges shall be holed and the barrel supports slotted to receive them. The barrel studs shall be threaded over a length on either end, sufficient to accommodate washers, spindle plates and nuts for fixing flanges at the required spacing.

Normally, the nuts on the studs shall stand protruded of the flanges. All the nails used on the inner surface of the flanges and the drum barrel shall be countersunk. The ends of the barrel shall generally be flushed with the top of the nuts.

The inner cheek of the flanges and drum barrel surface shall be painted with bitumin based paint.

Before reeling, card board or double corrugated or thick bituminised waterproof bamboo paper shall be secured to the drum barrel and inside of flanges of the drum by means of a suitable commercial adhesive material. The paper should be dried before use. Medium grade kraft paper shall be used in between the layers of the conductor. After reeling the conductor the exposed surface of the outer layer of conductor shall be wrapped with thin polythene sheet across the flanges to preserve the conductor from dirt, grit and damage during transportation and handling and also to prevent ingress of rain water during storage/transport.

- 9.11 A minimum space of 75 mm shall be provided between the inner surface of the external protective lagging and outer layer of the conductor. Outside the protective lagging, there shall be minimum of two binders consisting of hoop iron/galvanized steel wire. Each protective lagging shall have two recesses to accommodate the binders.
- 9.12 Each batten shall be securely nailed across grains as far as possible to the flange edges with at least 2 nails per end. The length of the nails shall not be less than twice the thickness of the battens. The nail shall not protrude above the general surface and shall not have Exposed sharp edges or allow the battens to be released due to corrosion.
- 9.13 The conductor ends shall be properly sealed and secured with the help of U-nails on one side of the flanges.
- 9.14 Only one standard length of conductor shall be wound on each drum. The method of lagging to be employed shall be clearly stated in the tender.
- 9.15 As an alternative to wooden drum Bidder may also supply the conductors in non- returnable painted steel drums. The painting shall conform to IS:9954-1981, reaffirmed in 1992. Wooden/ steel drum will be treated at par for evaluation purpose and accordingly the Bidder should quote the package.

LABELLING AND MARKING

The drum number shall be branded or gauged or stencilled into the flange. An arrow shall be marked on the sides of the drum, together with the words "Roll this way". Each drum shall have the following information provided on the outside of the flange stencilled with indelible ink.

- a. Manufacturer's name and address.
- b. Contract/Specification number.
- c. Size and type of conductor.
- d. Net weight of the conductor.
- e. Gross weight of the conductor and drum.
- f. Length of the conductor.

- g. Position of the conductor end.
- h. run and lot number.
- i. Name and address of the consignee.
- j. Month and year of manufacture.
- k. The drum may also be marked with standard specification as per which the conductor is manufactured.

11.1 STANDARD LENGTHS

The standard length of the conductor shall be 2500 metres. Bidder shall indicate the standard length of the conductor to be offered by them. A tolerance of plus or minus 5% on the standard length offered by the bidder shall be permitted. All lengths outside this limit of tolerance shall be treated as random lengths.

Random lengths will be accepted provided no length is less than 70% of the standard length and total quantity of such random length shall not be more than 10% of the total quantity order. When one number random length has been manufactured at any time, five (5) more individual lengths, each equivalent to the above random length with a tolerance of +/-5% shall also be manufactured and all above six random lengths shall be dispatched in the same shipment. At any point, the cumulative quantity supplied including such random lengths shall not be more than 12.5% of the total cumulative quantity supplied including such random lengths. However, the last 20% of the quantity ordered shall be supplied only in standard length as specified.

11.2 Bidder shall also indicate the maximum single length, above the standard length, he can manufacture in the guaranteed technical particulars of offer. This is required for special stretches like river crossing etc. The Purchaser reserves the right to place orders for the above lengths on the same terms and conditions applicable for the standard lengths during the pendency of the Contract.

12.0 QUALITY ASSURANCE PLAN

A Quality Assurance Plan including customer hold points covering the manufacturing activities of the material shall be required to be submitted by the tenderer to the purchaser along with the tender. The Quality Assurance Plan after the same is found acceptable, will be approved by the purchaser. The contractor shall follow the approved Quality Assurance Plan in true spirit. If desired by the purchaser, he shall give access to all the documents and materials to satisfy the purchaser that the Quality Assurance Plan is being properly followed.

TESTING

SELECTION OF TEST SAMPLES FOR TYPE TESTS

The samples shall be taken from a continuous length of conductor and subjected to all the tests specified in clause 14.

SELECTION OF TEST SAMPLES FOR ACCEPTANCE TESTS

Before dispatch from the works individual wire and finished steel cored aluminum conductor shall be subjected to the tests as specified in IS: 398 or any other authoritative standard. Sample for individual wires for test shall be taken before stranding from outer ends of not less than ten per cent

of the spools in the case of aluminum wire and ten per cent of the wire coils in the case of steel wires. If samples are taken after stranding, they shall be obtained by cutting 1.2 metres from the outer ends of the finished conductor from not more than 10 per cent of the finished reels.

The routine tests shall be same as acceptance test and shall be carried out on each coil.

TESTS

The following tests shall be carried out on a sample/samples of conductor.

Type Tests

- a) Visual examination
- b) Measurement of diameters of individual aluminium and steel wires.
- c) Measurement of lay ratio of each layer
- d) Breaking load test
- e) Ductility test
- f) Wrapping test
- g) Resistance test on aluminium wires.
- h) DC resistance Test on Composite Conductor.
- i) Galvanizing test
- j) Surface condition test.
- k) Stress Strain test
- l) Procedure qualification test on welded joint of Aluminium Strands.

NOTE :- The tenderer should submit type test certificates of a standard laboratory along with the tender, failing which the tender is liable for rejection.

Acceptance tests and Routine tests

- a) Visual and dimensional check on drum.
- b) Visual examination
- c) Measurement of diameters of individual aluminium and steel wires.
- d) Measurement of lay ratio of each layer
- e) Breaking load test
- f) Ductility test
- g) Wrapping test
- h) Resistance test on aluminium wires.
- i) DC resistance Test on Composite Conductor.
- j) Galvanizing test

Tests during Manufacture

The following tests during manufacture shall be carried out.

- a) Chemical analysis of zinc used for galvanising,
- b) Chemical analysis of aluminium used for making aluminium strands,
- c) Chemical analysis of steel used for making steel strands,

Visual examination

The conductor shall be examined visually for good workmanship and general surface finish of the conductor. The conductor drums shall be rewound in the presence of Board's Inspecting Officer. The Inspector will initially check for Scratches, Joints etc., and that the conductor shall generally conform to the requirements of the specifications/IS 398(Part-II)-1996.

Measurement of diameters of individual Aluminium and Steel Wires.

The diameters of individual Aluminium and Steel Wires shall be checked to ensure that they conform to the requirements of this specification.

Measurement of lay-ratios

The lay-ratios of each layer of the conductor shall be measured and checked to ensure that they conform to the requirements of this specification and IS:398 (Part- II)-1996.

Breaking load test

Breaking load test on complete conductor.

Circles perpendicular to the axis of the conductor shall be marked at two places on a sample of conductor of minimum 5m length between fixing arrangement suitably fixed on a tensile testing machine. The load shall be increased at a steady rate upto 50% of minimum specified UTS and held for one minute. The circles drawn shall not be distorted due to relative movement of strands. Thereafter the load shall be increased at steady rate to 100% of UTS and held for one minute. The Conductor sample shall not fail during this period. The applied load shall then be increased until the failing load is reached and the value recorded.

Breaking load test on individual Aluminium and Galvanized steel wires.

This test shall be conducted on both Aluminium and Galvanized steel wires. The breaking load of one specimen cut from each of the samples taken shall be determined by means of suitable tensile testing machine. The load shall be applied gradually and the rate of separation of the jaws of the testing machine shall be not less than 25 mm/min. and not greater than 100 mm. / min. The ultimate breaking load of the specimens shall be not less than the values as per standard specification.

Ductility Test

For the purpose of this test both torsion and elongation tests shall be carried out on galvanized steel wires only.

Torsion Test

One specimen cut from each of the samples taken shall be gripped in two vices exactly 15 cms. apart. One of the vices shall be made to revolve at a speed not exceeding one revolution per second and the other shall be capable of moving longitudinally to allow for contraction or expansion during testing. A small tensile load not exceeding 2 (two) percent of the breaking load of the wire shall be applied to the samples during testing. The test shall be continued until fracture occurs and the fracture shall show a smooth surface at right angles to the axis of the wire. After fracture, the specimen shall be free from helical splits. The sample shall withstand a number of twists equivalent to not less than 18 on length equal to 100 times the diameter. When twisted after stranding the number of complete twists before fracture occurs shall be not less than 16 on a length equal to 100 times the diameter of the wire. In case test sample length is less or more than 100 times the stranded diameter of the strand, the minimum number of twists will be proportioned to the length and if number comes in the fraction then it will be rounded off to the next higher whole number. The fracture shall show a smooth surface at right angles to the axis of the wire.

Elongation Test

The elongation of one specimen cut from each of the samples taken shall be determined. The specimen shall be straightened by hand and an original gauge length of 200 mm. shall be marked on the wire. A tensile load shall be applied as described in 1.1.4.6.2.1 and the elongation shall be measured after the fractured ends have been fitted together. If the fracture occurs outside the gauge marks, or within 25 mm. of either mark and the required elongation is not obtained, the test shall be disregarded and another test conducted. When tested before stranding, the elongation shall be not less than 4 percent and when tested after stranding, the elongation shall be not less than 3.5 percent.

Wrapping Test

This test shall be conducted on both Aluminium and Galvanised steel wires.

Aluminium wires

One specimen cut from each of the samples of aluminium wires shall be wrapped round a wire of its own diameter to form a close helix of 8 turns. Six turns shall then be unwrapped and closely wrapped in the same direction as before. The wire shall not break or show any crack.

Galvanized steel wires

One specimen cut from each of the samples of galvanized steel wire taken shall be wrapped round a mandrel of diameter equal to 4 times the wire diameter to form a close helix of 8 turns. Six turns shall then be unwrapped and again closely wrapped in the same direction as before. The wire shall not break.

RESISTANCE TEST

IEC:889. The electrical resistance of one specimen of aluminium wire cut from each of the samples taken shall be measured at ambient temperature. The measured resistance shall be corrected to the value corresponding to 20 degrees C. by means of following formula.

1

$$R_{20} = R_T \frac{1}{1 + \alpha (T - 20)}$$

1 + α x (T-20) Where

R₂₀ = Resistance corrected at 20 degrees C.

R_T = Resistance measured at T degrees C.

α = Constant mass temperature coefficient of resistance 0.004.

T = Ambient temperature during measurement

This resistance calculated to 20 degrees C. shall be not more than the maximum value specified in standard specification.

GALVANIZING TEST

This test shall be conducted on galvanized steel wires only. The uniformity of Zinc coating and the weight of coating shall be in accordance with IS 4826-1979.

SURFACE CONDITION TEST

A sample of the finished conductor for use in 33 KV system having a minimum length of 5Mtr. with compression type dead end clamps compressed on both ends in such manner as to permit the conductor to take its normal straight line shape, shall be subjected to a tension of 50% of the UTS of the conductor. The surface shall not depart from its cylindrical shape nor shall the strands move relative to each other so as to get out of place or disturb the longitudinal smoothness of conductor. The measured diameter at any place shall be not less than the sum of the minimum specified diameters of the individual aluminium and steel strands.

STRESS-STRAIN TEST

The test is contemplated only to collect the creep data of the conductor from the manufacturer. A sample of conductor of minimum 10 meters length shall be suitably compressed with dead end clamps.

15.0 TEST SET-UP

15.1 The test sample shall be supported in a trough over its full length and the trough adjusted so that the conductor will not be lifted by more than 10mm under tension. This shall be ascertained by actual measurement

15.2 The distance between the clamp and the sleeve mouth shall be monitored with callipers during the test to ensure that, after the test, it does not change by more than $1\text{mm} + 0.1\text{mm}$ from the value before the test.

15.3 The conductor strain shall be evaluated from the measured displacements at the two ends of the gauge length of the sample. The gauge reference targets shall be attached to the clamps which lock the steel and aluminium wires together. Target plates may be used with dial gauges or displacement transducers and care shall be taken to position the plates perpendicular to the conductor. Twisting the conductor, lifting it and moving it from side-to-side by the maximum amounts expected during the test should introduce no more than 0.3mm error in the reading.

Test Loads for Complete Conductor

The loading conditions for repeated stress-strain tests for complete conductor shall be as follows:

1kN load shall be applied initially to straighten the conductor. The load shall be removed after straightening and then the strain gauges are to be set at zero tension. For non-continuous stress-strain data, the strain readings at 1kN intervals at lower tensions and 5 kN intervals above 30% of UTS shall be recorded. The sample shall be reloaded to 30% of UTS and held for 1 hour. Readings are to be noted after 5, 10, 15, 30, 45 and 60 minutes during the hold period. The load shall be released then after the hold period.

The sample shall be reloaded to 50% of UTS and held for 1 hour. Readings are to be noted after 5, 10, 15, 30, 45 and 60 minutes during the hold period. The load shall be released then after the hold period. Reloading upto 70% of UTS shall be done and held for 1 hour. Readings are to be noted after 5, 10, 15, 30, 45 and 60 minutes. The load shall be released.

Reloading upto 85% of UTS shall be done and held for 1 hour. Readings are to be noted after 5, 10, 15, 30, 45 and 60 minutes and the load shall be released then.

Tension shall be applied again and shall be increased uniformly until the actual breaking strength is reached. Simultaneous readings of tension and elongation shall be recorded upto 90% of UTS at the intervals.

Test Loads for steel core only

The loading conditions for repeated stress-strain tests for the steel core of ACSR shall be as follows:

The test shall consist of successive applications of load applied in a manner similar to that for the complete conductor at 30%, 50%, 70% and 85% of UTS. The steel core shall be loaded until the elongation at the beginning of each hold period corresponds to that obtained on the complete conductor at 30%, 50%, 70% and 85% of UTS respectively.

18.o Stress-strain curves

The design stress-strain curve shall be obtained by drawing a smooth curve through the 0.5 and 1 hour points at 30%,50% and 70% of UTS loadings. The presence of any aluminium slack that can be related to any observed extrusion entering the span from the compression dead ends shall be removed from the lower ends of the design curves. Both the laboratory and standard stress-strain curves shall be submitted to the purchaser alongwith test results. The stress-strain data obtained during the test shall be corrected to the standard temperature i.e. 20 deg.C.

19.o DC RESISTANCE TEST ON COMPOSITE CONDUCTOR

On a conductor sample of minimum 5m length, two contact clamps shall be fixed with a pre-determined bolt torque. The resistance of the sample shall be measured by a Kelvin double bridge by placing the clamps initially zero metre and subsequently one metre apart. The test shall be repeated at least five times and the average value recorded. The value obtained shall be corrected to the value at 20 deg C as per clause no.12.8 of IS:398 (Part-II)-1982/1996.The corrected resistance value at 20 deg.C shall conform to the requirements of this specification.

20.o Procedure Qualification test on welded Aluminium Strands.

Two Aluminium wires shall be welded as per the approved quality plan and shall be subjected to tensile load. The breaking strength of the welded joint of the wire shall not be less than the guaranteed breaking strength of individual strands.

21.o Chemical Analysis of Aluminium and steel

Samples taken from the Aluminium and Steel ingots / coils/ strands shall be chemically/ Spectrographically analysed. The same shall be in conformity with the requirements stated in this specification.

22.o Chemical Analysis of zinc

Samples taken from the zinc ingots shall be chemically / spectrographically analysed.The same shall be in conformity with the requirements stated in this specification.

23.o Visual and Dimensional check on Drums

The drums shall be visually and dimensionally checked to ensure that they conform to the requirements of this specification.

REJECTION AND RETEST

In case of failure in any type test, the supplier is either required to manufacture fresh sample lot and repeat all the tests successfully once or repeat that particular type test three times successfully on the sample selected from the already manufactured lot at his own expenses. In case a fresh lot is manufactured for testing then the lot already manufactured shall be rejected.

If samples are taken for test after stranding and if any selected reel fails in the retest, the manufacturer may test each and every reel and submit them for further inspection. All rejected material shall be suitably marked and segregated.

5.0 CHECKING AND VERIFICATION OF LENGTH OF CONDUCTOR

The contractor should arrange for inspection by the representative of the purchaser specially authorized for this purpose. At least 50% of the total number of drums of conductor subject to minimum of two taken at random should be checked to ascertain the length of conductor. Arrangements should be made available in the works of the manufacturer for transferring the conductor from one reel to another at the same time measuring the length of the conductor so transferred by means of a meter.

26.0 ADDITIONAL TESTS

The Owner reserves the right of having at his own expenses any other test(s) of reasonable nature carried out at Bidder's premises, at site, or in any other standard Laboratory in addition to the aforesaid type, acceptance and routine tests to satisfy himself that the materials comply with the specifications.

TESTING EXPENSES

The breakup of the testing charges for the type tests specified shall be indicated separately. Bidder shall indicate the laboratories in which they propose to conduct the type test. They shall ensure that adequate facilities are available in the laboratories and the tests can be completed in these laboratories within the time schedule guaranteed by them.

The entire cost of testing for the acceptance and routine tests and tests during manufacture specified herein shall be treated as included in the quoted unit price of the conductor, except for the expenses of the inspector/Purchaser's representative.

In case of failure in any type test, if repeat type tests are required to be conducted then all the expenses for deputation of Inspector/Purchaser's representative shall be deducted from the contract price. Also if on receipt of the supplier's notice of testing, the Purchaser's representative does not find 'plant' to be ready for testing, the expenses incurred by the Purchaser for redeputation shall be deducted from contract price.

Test Reports

Copies of type test reports shall be furnished in at least six copies alongwith one original. One copy will be returned duly certified by the Purchaser only after which the commercial production of the material shall start. Record of Routine test reports shall be maintained by the supplier at his works during inspection by the Purchaser's representative. Test certificates of Tests during manufacture shall be maintained by the supplier. These shall be produced for verification as and when desired by the Purchaser.

29.0 Test Facilities

The following additional test facilities shall be available at the supplier's works:

- b) Calibration of various testing and measuring equipment including tensile testing machine, resistance measurement facilities, burette, thermometer, barometer, etc.
- c) Standard resistance for calibration of resistance bridges.
- d) Finished Conductor shall be checked for length verification and surface finish on separate rewinding machine at reduced speed(variable from 8 to 16 meters per minute).The rewinding

facilities shall have appropriate clutch system and be free of vibrations, jerks etc with traverse laying facilities.

INSPECTION

The Owner's representative shall, at all times, be entitled to have access to the works and all places of manufacture where conductor shall be manufactured and the representative shall have full facilities for unrestricted inspection of the Bidder's works, raw materials and process of manufacture and conducting necessary tests as detailed herein. The Bidder shall keep the Owner informed in advance of the time of starting and of the progress of manufacture of conductor in its various stages so that arrangements can be made for inspection.

The contractor will intimate the purchaser about carrying out of the tests at least 15days in advance of the scheduled date of tests during which the purchaser will arrange to depute his representative/s to be present at the time of carrying out of the tests. Six (6) copies of the test reports shall be submitted.

No material shall be dispatched from its point of manufacture before it has been satisfactorily inspected and tested, Unless the inspection is waived off by the owner in writing. In the later case also, the conductor shall be dispatched only after satisfactory testing for all tests specified herein has been completed and approved by the owner.

The acceptance of any quantity of material shall in no way relieve the Bidder of any of his responsibilities for meeting all requirements of the specification, and shall not prevent subsequent rejection if such material is later found to be defective.

At least 50% of the total number of drums subject to minimum of two in any lot put up for inspection, shall be selected at random to ascertain the length of conductor by the following method:"At the works of the manufacturer of the conductor, the conductor shall be transferred from one drum to another at the same time measuring its length with the help of a graduated pulley and Cyclometer. The difference in the average length thus obtained and as declared by the Bidder in the packing list shall be applied to all the drums if the conductor is found short during checking".

31.0 SCHEDULE OF DEVIATIONS/VARIATIONS

If the tenderer has any exceptions to any of the clause/s laid down in this specification, these should be clearly stated in the schedule of deviations / variations.

SPECIFIC TECHNICAL REQUIREMENTS

System Particulars

a) Line Voltage (kV)	33
b) Highest System Voltage (kV)	36
c) Number of Circuits	1
d) Frequency HZ	50
e) Neutraleffectively earthed	
j) Short circuit level (KA)	31.8KA

TECHNICAL REQUIREMENTS

- k) Conductor : Panther ACSR
- l) IS applicable: IS-398 (part-II)1996 latest revision.
- m) Wire diameter: Panther
- | | |
|------------------|---------|
| Aluminium (mm) : | 30/3.00 |
| Steel(mm) | |
| : | 7/3.00 |
- o) Number of strands:
- Steel centre
- | | |
|---------------------------------|----|
| 1st steel layer | 6 |
| 1st Aluminium layer | 12 |
| 2 nd Aluminium layer | 18 |
- o) Sectional Area of : 212.1
- Aluminium (sq. mm.)
- p) Total Sectional : 261.5
- q) Overall diameter (mm) : 21
- r) Approximate weight : 974 (Kg./Km.)
- s) Calculated D.C. resistance : 0.139 at 20 degrees C, maximum. (Ohms/km.)
- t) Ultimate tensile strength : 89.67(KN)
- u) Final modulus of elasticity: 80 (GN/sq.m)
- w) Coefficient of Linear :17.8 expansion x 10-6 per ° C

GURANTEED TECHNICAL PARTICULARS FOR ACSR Panther Conductor

(To be submitted along with offer)

3. Maker's Name, Address & Country. :
4. a) Aluminium :
- b) Steel wire :
- c) Complete conductor :

CONDUCTOR :

1. Size & Code :
2. IS/International Standards applicable :
3. Wire diameter in m
4. Diameter of complete Conductor in mm :
5. Number of strands : Steel centre : 1st steel layer :
1st Aluminium layer :
2nd Aluminium layer :
6. Sectional Area of Aluminium in mm² :
7. Total Sectional Area in mm² :
8. Overall diameter in mm :
9. Weight in kg :
10. Calculated D.C. resistance at 20 degrees C, maximum.:
11. Continuous current rating at 75 degree C (Enclose supporting calculations):
12. Ultimate tensile strength, kg/kN :
13. Final modulus of elasticity :
14. Co-efficient of Linear expansion. :
15. Lay-Ratio Maximum Minimum Steel core 6 wire layer
Aluminium
1st layer
2nd layer

STRANDS

16. Technical particulars of Steel
Aluminium Aluminium and steel strands:
Diameter (mm) Standard : Maximum : Minimum : Cross-sectional
area of nominal diameter wire (sqmm) : Weight in Kg./Km. :
Minimum breaking load in Kg/KN Before stranding :
After stranding:
e) Minimum ultimate tensile stress of strand (KG/Sq mm):
f) Co-efficient of linear expansion :
17. D.C. Resistance at 20 degrees C in ohms/Km :
18. Zinc coating of steel wire in gms/m²:
a) Number of 1 minute dips. :
b) Minimum weight of Zinc Coating:
c) Process of Galvanizing :
d) Quality of Zinc :

19. Joints in strands a) Steel :
 - a. Aluminium :
 - b. Method of making joint :
 - c. Ultimate tensile strength of joint :
27. Maximum single length of conductor which can be manufactured in km :
28. Standard length of each piece in Km. :
29. a) Tolerance if any on standard lengths :
 - b) Details of random lengths :
30. No. of standard length in one reel :
31. Type of Drums and IS applicable :
32. Dimensions of the Drum in cm. : (Drawing shall be enclosed)
33. Weight of the Drum in kg : with conductor : empty Drum with lagging :
32. Details of marking on conductor drum :
33. Whether the drums are suitable for use with tension stringing equipment. :
34. Standard according to which the conductor will be manufactured and tested :
 - a) Certification Mark if any :
 - b) Test certificate enclosed : Yes/No
35. Chemical composition of high carbon steel wire :
36. Initial & Final sag and Tension charts Furnished:
37. Stress/Strain data corresponding to different tensions, temperatures and time furnished. :
38. Curves/tables of creep compensation corresponding to different tensions temperatures furnished :
39. Other details if any :

Section-III

R.S.Joist Pole

TECHNICAL SPECIFICATION OF 11 mtr. R.S Joist Pole

1.0 Scope Of Work:

This specification covers design, manufacture, testing and supply of 150x150mm RS Joist 11 Meter long designed for a working load of 306kg. The bidder should enclose Performance Certificates from the above users, issued in favour of the Sub Vendor / manufacturer, as proof of successful operation in field.

Sl. No.	Size	Purpose	Supply Qty(Nos)	Locations
1	11 Mtr	DP	4	1. At Ransinghpur grid 2. At IOCL Depot
2	11 Mtr	4-Pole	4	At Janla S/s

Applicable Standards:

This specification covers the manufacturing, testing before dispatch and delivery of following R.S Joists

	150x150mmRS Joist		
	150 x 150 mm R.S. Joist length:-11mtr,30.6kg/mtr total weight 336.6kg	MT	

2.0 Standards:

The RS JOISTS shall comply with the requirements of latest issue of IS – 2062 Gr – A except where specified otherwise.

3.0 Clamatic Conditions :

The climatic conditions at site under which the store shall operate satisfactory, are as follows

Maximum temperature of air in shade	45° c
Maximum temperature of air in shade	0 c
Maximum temperature of air in shade	50° c
Maximum rain fall per annum	2000mm
Maximum temperature of air in shade	45° c
Maximum ambient temperature	45° c
Maximum humidity	100%
Av. No. of thunder storm days per annum	70%
Av. No. of dust storm per annum	20
Av. Rain fall per annum	150mm

Rolled Steel Joists

The Rolled Steel joist (RSJ) support structures shall be fabricated from mild steel, grade A and in lengths dictated by design parameters .The joists, may include, but shall not be limited to the size i.e.150 X 150 mm;

Dimensions and Properties

RSJ DESIGNATION	150 x 150 mm ISHB
Length of Joist in Mtr with +100mm/- 0% Tolerance	11mtr
Weight kg/m with $\pm 2.5\%$ Tolerance	30.6
Sectional Area (cm ²)	39.00
Depth(D) of Section (mm) with +3.0mm/ -2.0mm Tolerance as per IS 1852-1985	150.00
Width (B) of Flange (mm) with $\pm 2.5\text{mm}$ Tolerance for 116 x 100 mm ISMB & $\pm 4.0\text{mm}$ Tolerance for 150 x 150 mm ISHB IS 1852-1985	150.00
Thickness of Flange (Tf) (mm) with $\pm 1.5\text{mm}$ Tolerance	9.00
Thickness of Web (Tw) (mm) with $\pm 1.0\text{mm}$ Tolerance	8.40
Corner Radius of fillet or root (R1) (mm)	8.00
Corner Radius of Tow (R2) (mm)	4.00
Moment of Inertia Ixx (cm ⁴) Iyy (cm ⁴)	1540.00 460.00
Radius of Gyration (cm) Rxx Ryy	6.29 3.44
Flange Slope(α) in Degree	94.0
Tolerance in Dimension	As per IS:1852

MECHANICAL PROPERTIES:

Tensile Test :	Requirement as per IS:2062/ 1999 Grade-A
Yeild Stress(MPa)	Min250
Tensile Strength(MPa)	Min410
Lo=(5.65 \sqrt{So})Elongation%	Min23
Bend Test	Shall not Crack

CHEMICAL PROPERTIES:

Chemical Composition	Requirement as per IS:2062/1999 Grade-A	Permissible variation over the Specified Limit,Percent,Max
Grade	A	-
Chemical Name	Fe-410W A	-
Carbon(%Max.)	0.23	0.02
Manganese(%Max.)	1.5	0.05
Sulphur(%Max.)	0.050	0.005
Phosphorous(%Max.)	0.050	0.005
Silicon(%Max.)	0.40	0.03
Carbon Equivalent(%Max.)	0.42	-
Deoxidation Mode	Semi-killed or killed	-
Supply condition	As rolled	-

However, In case of any discrepancy between the above data & the relevant ISS, the values indicated in the IS shall prevail.

The Acceptance Tests shall be Carried out as per Relevant ISS.

5.2.150x150mm RS Joists:

RS Joists of Specific Weight 30.6kg/mtr with length of each type of pole being 11mtr pole weighing 336.6Kg for specified number of poles with specified weight in MT as given in the NIT table given above shall have to be supplied as per IS:2062;2006 Grade"A" , IS:808;1989/2001, IS1608:1995 & IS:12779-1989 and their latest amendment if any complying the required Dimension, Weight, Chemical & Mechanical properties confirming to the relevant IS, as per the Tolerrance given Below.

5.3.APPLICABLE TOLLERANCES :

- Length of each pole = + 100mm / - 0 % As per relevant IS: 12779-1989

(with proportionate change in no of Poles)

- Specific Weight of RS Joists = $\pm 2.5\%$ As per relevant IS: 1852/1985
- Weight for whole lot of supply for all categories = $\pm 3.0\%$ As per relevant IS: 12779-1989 for both type of RS Joists.

EMBOSSING ON EACH R.S JOIST :

Following distinct non-erasable embossing is to be made on each R.S Joists .

- Name & Logo of the Manufacturer.
- B.I.S Logo(ISI Mark) if applicable.
- Size of the R.S Joist

GUARANTEED TECHNICAL PARTICULARS FOR (RS JOISTS of sizes 150x150mm)

(To be submitted along with offer)

Dimensions and Properties :

PARTICULARS	150 x 150 mm ISHB	Manufacturer's Data
Length of Joist in Mtr with +100mm/-0% Tolerance	12mtr	
Weight kg/m with±2.5% Tolerance	30.6	
Sectional Area (cm ²)	39.00	
Depth(D) of Section (mm) with +3.0mm/ - 2.0mm Tolerance as per IS 1852-1985	150.00	
Width (B)of Flange (mm) with ±2.5mm Tolerance for116 x 100 mm ISMB & ±4.0mm Tolerance for 150 x 150 mm ISHB IS 1852-1985	150.00	
ThicknessofFlange(Tf)(mm) with±1.5mm Tolerance	9.00	
Thickness of Web(Tw) (mm) with±1.0mm Tolerance	8.40	
Corner Radius of fillet or root (R1) (mm)	8.00	
Corner Radius of Tow (R2) (mm)	4.00	
Moment of Inertia Ixx (cm ⁴) Iyy (cm ⁴)	1540.00 460.00	
Radius of Gyration (cm) Rxx Ryy	6.29 3.44	
Modulus of Section Zxx(cm ³) Zyy(cm ³)	205 60.2	
Flange Slope(α) in Degree	94.0	
Tolerance in Dimension	As per IS:1852	
Distinct Non-Erasable Embossings to be made on each R.S. Joist	a) Name & Logo of the Manufacturer. b) B.I.S Logo(ISI Mark) if applicable. c) Size	

Chemical Properties :

Tensile Test :	Requirement as per IS:2062/ 1999 Grade-A	Manufacturer's Data
Yield Stress(MPa)	Min250	
Tensile Strength(MPa)	Min410	
Lo=(5.65√So)Elongation%	Min23	
Bend Test	Shall not Crack	

Mechanical Properties :

Chemical Composition	Requirement as per IS:2062/ 1999 Grade-A	Permissible variation over the Specified Limit,Percent,Max	Manufacturer's Data
Grade	A	-	
Chemical Name	Fe-410W A	-	
Carbon(%Max.)	0.23	0.02	
Manganese(%Max.)	1.5	0.05	
Sulphur(%Max.)	0.050	0.005	
Phosphorous(%Max.)	0.050	0.005	
Silicon(%Max.)	0.40	0.03	
Carbon Equivalent(%Max.)	0.42	-	
Deoxidation Mode	Semi-killed or killed	-	
Supply condition	As rolled	-	

However, In case of any discrepancy between the above data & the relevant ISS, the values indicated in the IS shall prevail.

The Acceptance Tests shall be Carried out as per Relevant ISS.

The RS Joists shall be manufactured conforming to the relevant IS with Manufacturer's name/logo & B.I.S Logo if applicable embossed on it.

Section-IV

Insulators & Hardware fittings

TECHNICAL SPECIFICATION OF 33 KV INSULATORS AND HARDWARE FITTINGS

This Specification covers design, engineering, manufacture, assembly, stage testing, inspection & testing before supply and delivery at site of the following:

33 KV Disc Insulator
33 KV Pin Insulator

1.0 Specific Parameters & Layout Conditions

Performance Guarantee

The equipment along with all accessories shall be capable of performing intended duties under specified conditions. The manufacturer shall guarantee the reliability and performance of the individual equipment as well as of the complete system as specified in the bid documents.

2.0 Design and Construction

The material shall conform in all respect to the relevant Indian standards with latest amendments indicated below :

Indian Standards	Title
BIS:731/1976	Porcelain insulators for overhead power lines with a nominal voltage greater than 1000V
BIS:2486(Part-1 to Part-4)	Metal fittings of insulators for overhead power lines with nominal voltage greater than 1000V
BIS:7935-1975	Porcelain insulators for overhead power lines with a nominal voltage upto and including 1000V
REC SPEC : 3/1971	33 KV Porcelain insulators and fittings
REC SPEC : 21/1981	Guy Insulator (Stay Insulator)

3.0 General Requirements for 33 KV Pin and Disc Insulator

All insulators for 33KV shall conform to Type B of latest version of IS: 731. Insulator shall be as per enclosed drawing. Pin insulator shall consist of a single piece of porcelain, intended to be mounted rigidly on supporting structure by a pin, which passes up inside the insulator. The pin type insulator shall have a top groove and shall be threaded to take mild steel pins. The profile of threads shall be as per IS: 1445. The strain insulator shall be of Ball and Socket (B & S) type with details.

4.0 General requirement for Stay Insulators

These insulators shall generally comply with latest version of IS: 1445, REC Specification No.4/1972 and fittings with IS: 7935-1975 or the latest version thereof.

Guy strain insulators shall conform to designation C as per IS: 5300.

5.0 Specific Requirements for Insulators

The insulators shall conform to the following specific conditions of respective IS given in the table below :

Insulator	Designation		Minimum mechanical failing load	Minimum Creepage distance
33 KV	Pin	Type –B of IS 731	10 KN	320 mm
	Pin		10 KN	580 mm
	Disc	Type –B of IS 731	70 KN (for B & S type)	320 mm
	Stay	Type – C of IS 1445	88 KN	57 mm

Insulator Materials

Porcelain :

The porcelain used in the manufacture of shells shall be sound, free from defects thoroughly vitrified and smoothly glazed. It should not engage directly with hard metal.

Glaze :

The finished porcelain shall be glazed in brown colour. The glaze shall cover all exposed parts of the insulator and shall have a good lustre, smooth surface and good performance under the extreme weather conditions of a tropical climate. It shall not crack or chip by ageing under the normal service conditions. The glaze shall have the same co-efficient of expansion as if the porcelain body throughout the working temperature range. The insulator shall be so designed that the stresses due to expansion and contraction in any part of the insulator shall not lead to deterioration.

Cement :

Cement used in the manufacture of the insulator shall not cause fracture by expansion or loosening by contraction. The cement shall not give rise to chemical reaction with metal fittings and its thickness shall be as small and uniform as possible. Proper care shall be taken to correctly centre and locate individual parts during cementing.

QUALITY ASSURANCE AND TESTING

Type Tests :

Reports of the following type tests conducted in any NABL accredited laboratory, shall have to be submitted along with the bid.

- a. Visual examination
- b. Verification of dimensions
- c. Visible Discharge test (dry)
- d. Impulse voltage withstand and flashover test(dry)
- e. Power frequency voltage withstands and flashover test (i) dry (ii)wet.
- f. Temperature Cycle test
- g. Mechanical failing Load Test (for pin insulator only) to be carried out as per procedure described at Sub-clause 12.2.5 below
- h. 24 hour Mechanical Strength Test for Strain Insulator
- i. Puncture Test
- j. Porosity Test
- k. Galvanizing Test
- l. Electro-mechanical failing test (for Strain Insulator only) to be carried out.
- m. Thermal mechanical performance test (for Strain insulators only) to be carried out.

Note: Type test reports shall be submitted for acceptance which should not be more than five (05) years old as on date of bid opening.

Acceptance Tests:

The following tests shall be conducted at the works of the manufacturer on a suitable number of individual insulators.

Verification of dimensions

Temperature cycle test

Electro-mechanical failing test (for Strain Insulator only) to be carried out.

Puncture Test

Porosity Test

Galvanizing Test

Routine Test :

The manufacturer should have facilities to conduct following routine tests at their works.

- a. Visual Inspection
- b. Mechanical routine test (for Strain Insulator only)
- c. Electrical routine test (for Strain Insulator only)
- d. Hydraulic Internal Pressure on Shells (for strain insulators only).

The bidder shall have to submit the list testing and measuring equipments along with bid documents.

Test during Manufacture :

On all components as applicable.

- a. Chemical analysis of zinc used for Galvanizing
- b. Chemical analysis, mechanical metallographic test and magnetic particle inspection for malleable castings.
- c. Chemical analysis hardness tests and magnetic particle inspection for forgings.
- d. Hydraulic Internal Pressure tests on disc insulator shells as per relevant BIS Clause.

Hydraulic (For Disc Insulators Internal Pressure Test on Shells)

The test shall be carried out as per relevant BIS Clause.

Thermal Mechanical Performance Test (if applicable)

Thermal Mechanical Performance Test shall be performed in accordance with IEC-383-1-1993 :

1. The applied mechanical load during this test shall be 70% of the rated electromechanical or mechanical value.
2. The acceptance criteria shall be:

- a) X greater than or equal to $R + 3S$

Where,

X Mean value of the individual mechanical failing load.

R Rated electro-mechanical/mechanical failing load
 S Standard deviation.

The minimum sample size shall be taken as 20 for disc insulator units

The individual elect mechanical failing load shall beat least equal to the rate value. Also puncture shall not occur before the ultimate fracture.

Electromechanical/Mechanical Failing Load Test.

This test shall be performed in accordance of IEC 383 with the following acceptance.

X greater than or equal to $R + 3S$

Where,

X Mean value of the electro-mechanical/mechanical/failingload

R Rated electro-mechanical/mechanical failing load

S Standard deviation.

The minimum sample size shall be taken as 20 for disc insulators units. However, for larger lot size, IEC 591 shall be applicable.

The individual electro-mechanical/mechanical failing load shall be at least equal to the rated value. Also electrical puncture shall not occur before the ultimate fracture.

Note: The purchaser had right to waive any type/special test if the _____ produces the supplier test report for such tests conducted on identical Insulators.

8.0 Packing and Marking

Each insulator shall be visibly and indelibly marked as following :

Name and Trademark of manufacturer

Month / Year of manufacturer

Minimum failing load in KN

Marking on porcelain shall be printed / engraved and shall be applied before firing.

All insulators shall be packed in strong seasoned wooden crates. The gross weight of the crates along with the material shall not normally exceed 200 Kg to avoid handling problem.

The packing shall be of sufficient strength to withstand rough handling during transit, storage at site and subsequent handling in the field.

Suitable cushioning, protective padding or spacers shall be provided to prevent damage or deformation during transit and handling.

All packing cases shall be marked legibly and correctly so as to ensure safe arrival at their destination and to avoid the possibility of goods being lost or wrongly dispatched on account of faulty packing and faulty or illegible markings. Each wooden case/crate shall have all the markings stenciled on it in indelible ink.

GURANTEED TECHNICAL PARTICULARS FOR

33KVDISCINSULATORS

(To be submitted along with offer)

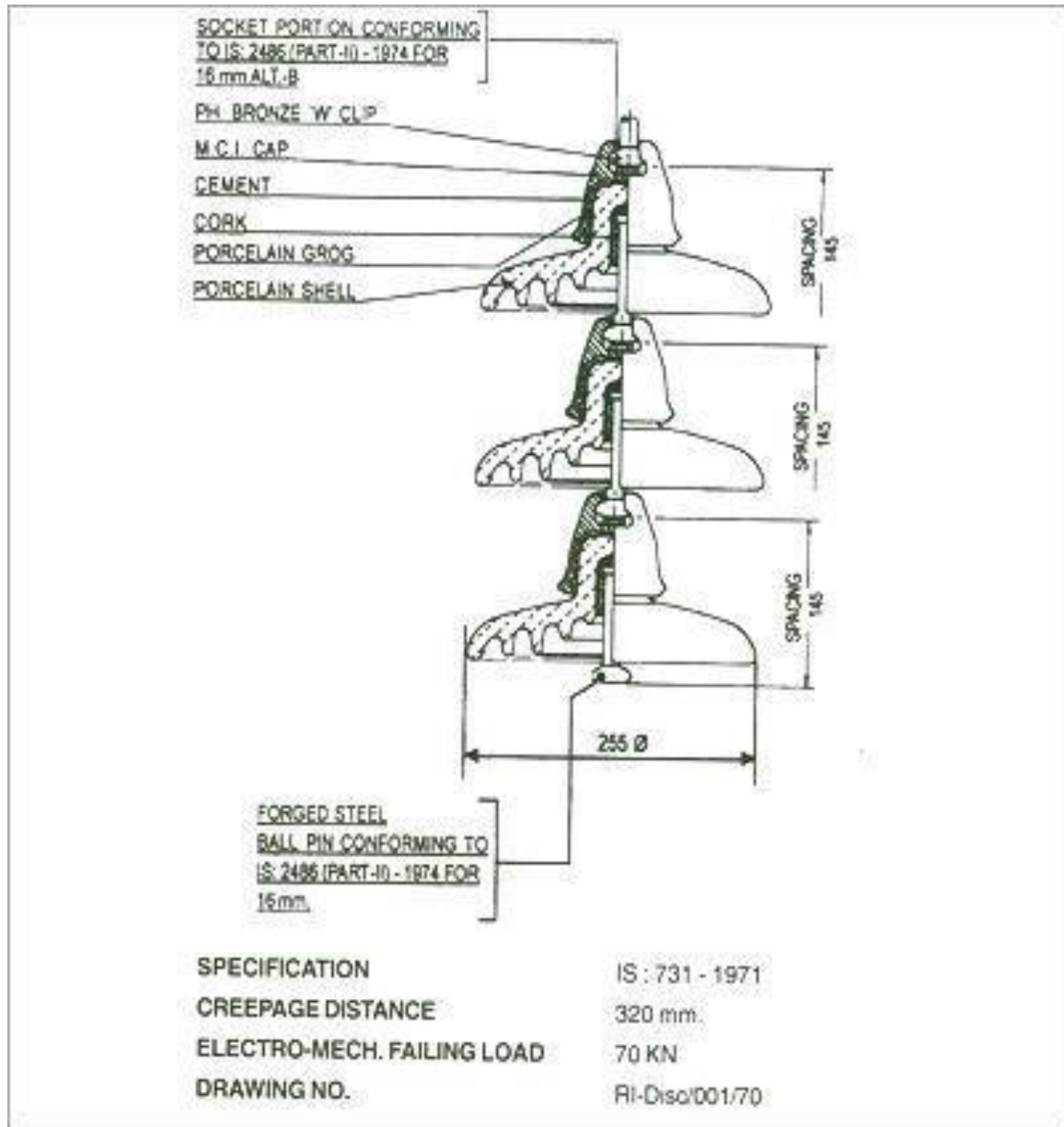
Sl. No.	Description	Unit	Bidder's offer
1	Disc Diameter	mm	
2	Disc spacing	mm	
3	Creepage distance		
	(a) Total	mm	
	(b) Protected	mm	
4	Combined electromechanical strength.	Kgs.	
5	Dry one minute power frequency	Kv	
6	Wet one minute power frequency	Kv	
7	Dry power frequency flashover.	Kv	
8	Wet power frequency flashover.	Kv	
9	Dry impulse withstand positive & negative.	Kv (Peak)	
10	Impulse flashover 1 x 50 microsecond (Positive)	Kv (Peak)	
11	Impulse flashover 1 x 50 microsecond (Negative)	Kv (Peak)	
12	Power frequency puncture voltage	Kv	
13	High system voltage.	Kv	
14	Visible Discharge voltage.	Kv	
15	Weight/Unit.	Kg.	
16	Marking :--	Each insulator will be legibly marked to show the following :	
		(a) Name of the Purchaser :--	
		(a) Name or trademark :--	
		(c) Month & year of manufactureing :--	
		(d) Minimum failing load.	
	PACKING: -- All insulators shall be packed suitably for easy but rough handling & acceptable for road transport. Where more than one insulator is packed in a crate, separator shall be fixed between the insulators to keep individual insulator in position without movement in the crate.		

GURANTEED TECHNICAL PARTICULARS FOR 33
KVPININSULATORS

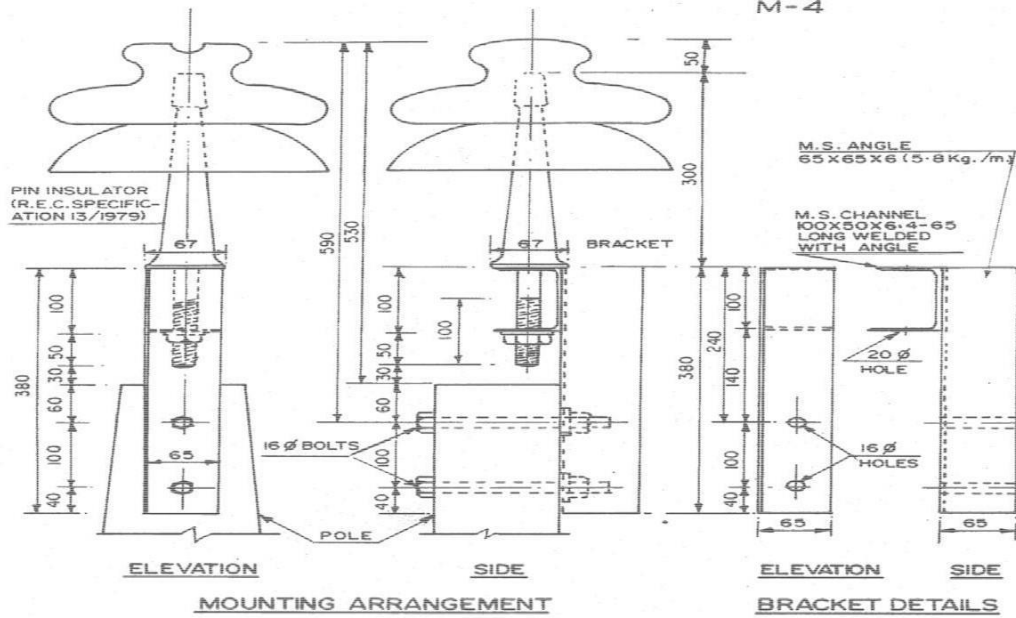
(To be submitted along with offer)

Sl. No.	Description	Bidders offer
1	Normal working voltage	
2	High system voltage.	
3	Visible Discharge voltage dry PF.	
4	1 Minute withstand voltage wet PF.	
5	1 Minute withstand voltage.....	
6	PF puncture withstand voltage.	
7	Impulse withstand voltage :	
8	Impulse flashover voltage :	
9	Minimum failing load.	
10	Minimum creepage distance.	
11	Colour of glaze.	
12	Weight per unit.	
13	Size of insulator. (Height)	
14	Material of thimble.	
15	Steel head.	
16	Standard.	
17	Tolerance.	
18	Marking :--	Each insulator will be legibly marked to show the following :
		(a) Name of the Purchaser :-- IOCL
		(a) Name or trademark :--
		(c) Month & year of manufactureing :--
		(d) Minimum failing load.
<p>PACKING: -- All insulators shall be packed in wooden crates suitable for easy but rough handling & acceptable for road transport. Where more than one insulator are packed in a crate, separator shall be fixed between the insulators to keep individual insulator in position</p>		

DRAWINGS:



REC
CONSTRUCTION STANDARD
M-4



ALL DIMENSIONS ARE IN mm.

३३ कि० वी० लाईनों के लिए
स्तम्भ-शीर्ष ब्रैकेट
33 KV LINE
POLE TOP BRACKET

SCALE :- N.T.S | APRIL - 1981

9.0 TECHNICAL SPECIFICATIONS OF HARDWARE FITTING FOR 33kV DISC INSULATOR & 33 kV GI PIN INSULATOR

9.1 SCOPE :

This Specification covers design, engineering, manufacture, assembly, stage testing, inspection & testing before supply and delivery at site

Hardware fittings for 33 KV Disc Insulators
and 33 KV GI Pins.

9.2 APPLICABLE STANDARD :

- I. Fittings for Disc insulators shall comply with the requirements of IS : 2486 and REC specification No. 3/1971, 4/1972.
- II. 33 kV GI shall comply with the requirements of IS : 2486.

9.3 GENERAL REQUIREMENTS :

I. Fittings for Disc Insulators :

Cross arm strap conforming to IS 2486 (Part II)

Forged Steel ball eye for attaching the socket end of the Disc insulator to the cross arm strap. Forging shall be made of steel as per IS : 2004 Grade 4. Aluminium alloy thimble socket made out of permanent high strength aluminum alloy for attaching the disc insulator at one end and for accommodating the loop of conductor (Panther ACSR) at the other end. The thimble socket shall be attached to the disc insulator with the help of locking pin as per the dimensions given in IS:2486 (Part II).

The tension hardware with four bolts strain hardware shall have minimum slip strength not less than 95% of the strength of respective conductor. Failing load shall be minimum 70 KN.

II. 33 kV GI Pin :

The pins shall be of single piece obtained by the process of forging. They will not be made by any process using more than one piece of material. The pin will have good finish, free from flaws and other defects. The finish of the collar shall be such that a sharp angle between the collar and the shank is avoided. All ferrous pins, nuts and washers, except those made of stainless steel shall be galvanized by hot dip process. Other fittings, i.e flat washers and spring washers may be electro-galvalised as per IS:2486. The threads of nuts, and topped holes, when cut after galvanization shall be well oiled or greased.

The pins shall be as per relevant figure indicated in IS 2486 (part II) having stalk length of 165 mm and shank length of 150 mm with minimum failing load of 10 KN with small heads and shall match with the pin type insulators with cemented zinc thimble having similar threads.

9.4 TESTS :

The hardware fittings and pins shall be tested as per IS: 2486 (part-1):1993

I. Type Test:

The bidder has to enclose the reports of the following type tests carried out in any govt. recognized laboratory along with the bid documents.

- a) Checking of Threads on Heads
- b) Galvanizing Test
- c) Visual Examination
- d) Mechanical Test.

II. Acceptance Tests:

Following tests shall be carried out at the works of the manufacturer before dispatch.

- a) Checking of Threads on Heads
- b) Galvanizing Test
- c) Visual Examination
- d) Mechanical Test.

10.0 **TECHNICAL SPECIFICATIONS OF NUTS & BOLTS**

10.1 SCOPE:

This specification covers manufacture, testing and supply of ISI Marked bolts and nuts made of black mild steel. All bolts and nuts shall have hexagonal heads, the heads being forged out of solid truly concentric, and square with the shank, which must be perfectly straight. The half thread GI nuts and bolts with 1 plane washer and 1 spring 1 washer completes 1 set. The assorted sizes are as following :

Sl. No.	Size	Appx. Quantity (In Kg)	
1	M 16 x 40 mm (Full Thread)	As per actual	
2	M 16 x 65 mm	-do-	
3	M 16 x 125 mm	-do-	
4	M 16 x 150 mm	-do-	
5	M 16 x 225 mm	-do-	
6	M 16 x 250 mm	-do-	
7	M 16 x 300 mm	-do-	
8	M 16 x 325 mm	-do-	
9	M 10 x 50 mm	-do-	

10.2 APPLICABLE STANDARDS

The Bolts & Nuts shall conform to IS: 6639 and galvanized as per IS: 1367 (Part-13)/ IS-2629.

10.3 GENERAL REQUIREMENTS

- a) Bolts upto M16 and having length up to 10 times the diameter of the bolt should be manufactured by cold forging and thread rolling process to obtain good and reliable mechanical properties and effective dimensional control. The shear strength of bolt for 5.6 grade should be 310 MPA minimum as per IS-2427. Bolts should be provided with washer face in accordance with IS: 1363 Part-I to ensure proper bearing.

- b) Nuts should be double chamfered as per the requirement of IS: 1363 Part-III-1984. The manufacturer should ensure that nuts should not be over tapped beyond 0.4 mm oversize on effective diameter for size up to M16
- c) Fully threaded bolts shall not be used. The length of the bolt shall be such that the threaded portion shall not extend into the place of contact of the component parts. All bolts shall be threaded to take the full depth of the nuts and threaded enough to permit the firm gripping of the component parts but no further. It shall be ensured that the threaded portion of the bolt protruded not less than 3 mm and not more than 8 mm when fully tightened. All nuts shall fit and tight to the point where shank of the bolt connects to the head.
- d) Flat washers and spring washers shall be provided wherever necessary and shall be of positive lock type. Spring washers shall be electro-galvanized. The thickness of washers shall conform to IS: 2016. The bidder shall furnish bolt schedules giving thickness of components connected the nut and the washer and the length of shank and the threaded portion of bolts and size of holes and any other special details of this nature.
- e) To obviate bending stress in bolt, it shall not connect aggregate thickness more than three time its diameter. Bolts at the joints shall be so staggered that nuts may be tightened with spanners without fouling.
- f) To ensure effective in-process quality control it is essential that the manufacturer should have all the testing facilities for tests like weight of zinc coating, shear strength, other testing facilities etc, in-house. The agency should also have proper Quality Assurance system which shall be in line with the requirement of this specification and IS: 14000 services Quality System standard. Fasteners of grade higher than 8.8 shall not to be used.

Raw Materials

MS round 16mm/12mm used shall be tested for quality as per IS: 2062 Gr."A".

The dimensions of the bolts & nuts and tolerances shall conform to IS: 1363 with their latest amendments in all respect. The eccentricity and angular errors of various elements shall be within specified limits as per IS: 1367/1967 with its latest amendments. The bolts & nuts shall be free from forging and threading defects such as cuts, splits, burns, bulging, taper, eccentricity, loose fill etc., which may affect their serviceability.

The bolt heads and nuts shall be chamfered on one face only and other face shall be machined made. Mechanical property requirement of tester shall conform to IS: 1367 (Part- III)-1979 property class 4.6 for bolts and property class-5 for nuts as per IS: 1367 (Part-VI)-1980. The bolts and nuts shall be supplied in well- cleaned conditions and suitably protected against corrosion in individual bags of 50kgs.

GALVANISING

It is required for galvanizing the Stay Clamps as following:

- a) All galvanizing shall be carried out by the hot dip process, in accordance with Specification IS 2629. However, high tensile steel nuts, bolts and spring washer shall be electro galvanized to Service Condition 4. The zinc coating shall be smooth, continuous and uniform. It shall be free from acid spot and shall not scale, blister or be removable by handling or packing. There shall be no impurities in the zinc or additives to the galvanic bath which could have a detrimental effect on the durability of the zinc coating.
- b) Before picking, all welding, drilling, cutting, grinding and other finishing operations must be completed and all grease, paints, varnish, oil, welding slag and other foreign matter completely removed. All protuberances which would affect the life of galvanizing shall also be removed.
- c) The weight of zinc deposited shall be in accordance with that stated in Standard IS 2629 and shall not less than 0.61kg/m² with a minimum thickness of 86 microns for items of thickness more than 5mm, 0.46kg/m² (64 microns) for items of thickness between 2mm and 5mm and 0.33kg/m² (47 microns) for items less than 2mm thick.
- d) Parts shall not be galvanized if their shapes are such that the pickling solutions cannot be removed with certainty or if galvanizing would be unsatisfactory or if their mechanical strength would be reduced. Surfaces in contact with oil shall not be galvanized unless they are subsequently coated with an oil resistant varnish or paint.
- e) In the event of damage to the galvanizing the method used for repair shall be subject to the approval of the Project Manager or that of his representative.
- f) Repair of galvanizing on site will generally not be permitted.
- g) The threads of all galvanized bolts and screwed rods shall be cleared of spelter by spinning or brushing. A die shall not be used for cleaning the threads unless specifically approved by the Project Manager. All nuts shall be galvanized. The threads of nuts shall be cleaned with a tap and the threads oiled.
- h) Partial immersion of the work shall not be permitted and the galvanizing tank must therefore be sufficiently large to permit galvanizing to be carried out by one immersion.
- i) After galvanizing no drilling or welding shall be performed on the galvanized parts of the equipment excepting that nuts may be threaded after galvanizing. To avoid the formation of white rust galvanized materials shall be stacked during transport and stored in such a manner as to permit adequate ventilation. Sodium dichromate treatment shall be provided to avoid formation of white rust after hot dip galvanization.
- j) The galvanized steel shall be subjected to test as per IS-2633.

TESTS

Acceptance Tests

The bidder shall furnish test certificate from his own/recognized Govt. Laboratory giving

the results of tests as per IS: 1367 (Part-III)-1979 & IS: 1367 (Part-VI) 1980 witnessed by owners inspecting officer for each lot under inspection. The test certificate shall be in respect of the following for all sizes of both bolts & nuts as applicable given below:-

- a) Dimensional particulars (Sampling in accordance with IS: 2614 for both bolts & nuts (tolerance as per drawing).
- b) Tensile strength test on full size (for bolts minimum 400 N/ Sq. mm and for Nuts Proof Stress test Min 610 N/Sq.mm).
- c) Power load test on full size bolts and M-12-51400 N for 15 Sec. d) Head soundness tests for bolts (no fracture). e) Brinell hardness tests or Rockwell Hardness or Vickers's Hardness tests for bolts min. 114 and max. 209 or min.67 & max. 95 or min.120 & max.220 respectively. For nuts Vicker's Hardness min. 130 & max. 302.

PRE-DESPATCH INSEPCION

The bidder shall arrange to carryout acceptance tests in presence of owner's inspecting officer in his own laboratory. In case testing facilities are not available at his works he will make necessary arrangements for carrying out these tests at a Govt. recognized lab at his own expenses(s) and will provide all testing arrangement for Owner's representative to witness the tests.

MARKINGS

On the bolt head, there shall be identification marking of the manufacturer as well as property class "4.6". If possible property calls "5" shall be marked on Nuts also. Further "ISI" mark shall be marked on Sunny Bags for proper identifications.

GURANTEED TECHNICAL PARTICULARS FOR NUTS&BOLTS

(To be submitted along with offer)

Sl. No.	Particulars	Bidder's Offer
1	Length of Bolt (in MM)	
2	Dia of Bolt (In MM)	
3	Pitch of Thread (In MM)	
4	Full Thread or Half Thread	
5	Dimension of Head	
6	Size & Thickness of Plain Washer	
7	Size & Thickness of Spring Washer	
8	Thickness of GI Coating	
9	Weight of one complete set	

TECHNICAL SPECIFICATIONS OF DANGER BOARD

SCOPE:

This Specification covers manufacture, testing and supply to the owner's stores of Danger Notice Plates to be displayed in accordance with Rule no.35 of Indian Electricity Rules, 1956.

APPLICABLE STANDARDS

The danger Notice Plates shall comply with IS: 2551-1982 and REC Spec. No. 57/1993 or the latest version thereof.

DIMENSIONS

The size of Danger Notice shall be as following :

For display at 33 KV installations – 250 x 200mm

The corner of the plate shall be rounded off.

The locations of fixing holes as shown in Fig. 1 to 4 is provisional and can be modified to suit the requirement of the purchaser.

LETTERINGS

All letterings shall certainly spaced. The dimension of the letters, figures and their respective position shall be as per standard. The size of letters in the words in each languages and spacing earmarked for them.

LANGUAGES

Under Rule No.35 of Indian Electricity Rules, 1956, the owner of every medium high and extra high voltage installation is required to affix permanently in a conspicuous position a danger notice in Hindi or English and , in addition, in the local languages, with the sign of skull and bones.

The type and sizes of lettering to be done in Odia is indicated in the specimen danger notice plates.

Adequate space has been provided in the specimen danger notice for having the letterings in local languages for the equivalent of 'Danger': "33000" and "volts".

MATERIAL AND FINISH

The plates shall be made from mild steel sheet of at least 1.6 mm thick and vitreous enameled white, with letters, figures and conventional skull and cross bones in signal red colour (refers IS:5-1978) on the front side. The rear side of the plate shall also be enameled.

TESTS

The following tests shall be carried out: Visual examination as per IS: 2551-1982.

Dimensional check as per IS:2551-1982.

Test for weather proofness as per IS:8709-1977 (or its latest version)

MARKING

Maker's name and trade mark and the purchaser's name shall be marked in such a manner and position on the plates that it does not interfere with the other information.

PACKING

The plates shall be packed in wooden crates suitable for rough handling and acceptable for rail/road transport.

GURANTEED TECHNICAL PARTICULARS FOR DANGER BOARD

(To be submitted along with offer)

Sl. No	GENERAL TECHNICAL PARTICULARS	Bidder's Offer
1	Size of the danger board	
2	Size of the letter	
3	Size of the Skull	
4	Detail of painting	
5	Whether detailed drawing is enclosed along	

TECHNICAL SPECIFICATIONS OF BARBED WIRE

SCOPE :

The scope covers manufacture, testing and supply of two ply barbed wires as per IS : 278,1978.

MATERIALS :

The galvanised barbed wires, (Type A) shall be manufactured from hot dipped galvanised mild steel wire confirming to IS : 280, 1972. Diameter of line and point wire shall be 2.5 mm. Distance between the barbs shall be 75 mm.

COILING & PACKING :

Each reel of barbed wire shall be wound and fastened compactly and of weight of 50 Kg approximately.

TESTING :

Routine and Acceptance test will be carried out at the works of the manufacturer as per IS:278.

GURANTEED TECHNICAL PARTICULARS FOR
BARBED WIRE

(To be submitted along with offer)

Sl. No.	GENERAL TECHNICAL PARTICULARS	Bidder's Offer
1	Nominal diameter of line wire	
2	Nominal diameter of point wire	
3	Distance between the barbs	
4	Tensile strength	
A	Min. N/mm ²	
B	Max. N/mm ²	
5	Minimum breaking load (KN)	
6	Type of coating Heavy/Medium/Light	
7	Weight of Zinc coating (Gms/Sq. Mtr.) Min.	
8	No. of dips the coating is able to withstand as 18 ± 20°C	
9	Chemical composition the MS Wire used shall not	
A	Sulphur 0.060%	
B	Phosphorous 0.065%	

Section-V

33kV Isolator

TECHNICAL SPECIFICATION OF 33 KV AIR BREAK ISOLATOR

SCOPE

This specification covers design, manufacture, testing and supply of. Manually operated 33 KV, 800 Amps Upright mounting type with manually operated with earth switch Isolators.

The isolator shall be of the manual operated type with earthing switches and shall complete with all parts and accessories including insulator operating rods, mounting attachments, necessary for their efficient operation.

1.04 It is not intent to specify completely herein, all details of the design and construction of equipments, however the equipment shall confirm in all respect to high standards of engineering mentioned in clause No. 4.0 design and workmanship and shall capable of performing in continuous commercial operation up to the suppliers guarantee in a manner acceptable to the purchaser, who will interpret the meanings of drawing and specification and shall have the powers to reject any work or material which, in his judgment, is not in accordance therewith. The equipment offered shall be complete with all components necessary for its effective and trouble free operation along with associated equipments, interlock, protection schemes, etc. Such components shall be deemed to be within the scope of bidder's supply irrespective of whether those are specifically brought out in this specification or not. All similar parts particularly removable ones shall be interchangeable.

2.00 LOCATION

The isolators are required to be provided at interconnection points of UG Cable on 4-Pole structure at Janla 33/11kV S/s.

SERVICE CONDITIONS:

The 33 kV triple pole air break isolators are intended to be used primarily for sectionalizing 33 kV UG cable portion of the line with 33 kV over head portion of the line.

3.03 ATMOSPHERIC CONDITIONS

Please refer to meteorological data furnished elsewhere in this document.

4.0 GOVERNING SPECIFICATION:

The isolator shall unless otherwise specified, generally conform the IS : 9921 (Part I to IV) - 1985, which shall be applied in the manner altered, amended or supplemented by this specification, the latest Indian Electricity Rules wherever applicable.

Any deviation from this specification offered to improvement performance, utility and efficiency of equipment proposed by the bidder will be given due consideration, provided full particular with justification thereof are furnished.

In the preparation of this specification, details have been taken from IEC 600 - 129

"alternating current disconnects (Isolators) and earthing switches", and IS 9921 (Part-I to IV) "Specification for alternating current disconnects (isolators) and earthing switches for voltages above 1000V".

Equipment meeting with the stipulations of equivalent IEC, ANSI, CSA, DIN standards which ensure equal or better quality than the standards listed in Clause No. 4.05, shall also be acceptable. In such case the bidder should submit along with this offer, two copies of such

standards, in authentic English translation, if the language of the standard is other than English. In case of dispute, the stipulations in English translation, submitted by the bidder shall prevail. Further, in the event of conflict between the stipulations of the standard adopted by the bidder, corresponding Indian Standard specification shall prevail.

In this specification reference has been made to the following Indian standard and other specifications:

Standards		
Sl No	Standards	Particulars
1	IS : 9921-85 Part-I, II, III & IV)	Specification for alternating current Disconnects (isolators) and earthing switches for voltages above 1000V
2	IS: 2544-1973 &	Porcelain post insulators for systems with nominal voltage greater than 1000V
	IS : 5250-1970	
3	IS : 7608	Phosphor bronze wires (for general engineering purposes)
4	IS : 2108-1977	Black hard malleable iron castings
5	IS : 1570 Part - IQ- 1979	Carbon steel (unalloyed steels)
6	IS : 2071 (Part-I & II)-1974	General definitions, test requirements & test procedures
7	IEC: 600129	Alternating current disconnects (isolators) and earthing switches
8	IS : 7906 (Part-III)-1975	Helical compression springs
9	IS: 5561 – 1970	Electric power connectors
10	IS: 5358-1969	Galvanizing of ferrous parts
11	IS : 2633	Method of testing conformity of coating of zinc coated article

RATING AND OTHER PARTICULARS

The isolators shall be designed for the following rating and other particulars:

Ratings & Other particulars		
Sl.No.	Particulars	33KV
1	Type	Manually operated Double break, upright mounting with the movement of the blade in a horizontal plane suitable for outdoor installation
2	No. of poles (Phases)	Three
3	Rated Voltage	36KV
4	Rated normal current	800A
5	Rated frequency	50 Hz
6	System neutral earthing	effectively earthed...
7	Rated short time withstand current of main switch	25 KA (rms for 3secs)
8	Rated peak withstand current	2.5 times the rated short time withstand current
9	Rated 1.2/50 micro second impulse withstand voltage (peak)	
	a) to earth	170 kV
	b) across isolating distance	195 kV
10	Temperature rise	Max.Temp deg.C
a)	a. Copper contacts in air	
i	Silver faced Copper	105
ii	Bare copper	75
b)	Terminal of isolator to be connected to external conductors by bolts	
i	Silver faced copper	105
ii	Bare copper	90
c)	Metal parts acting as springs	The temperature shall not exceed a value, where the elasticity of the materials is impaired. For pure copper the temp. limit is 75deg. C

11	Safe duration of over load	
a)	150 % of rated current	5 minutes
b)	120% of rated current	30 minutes
12	Minimum creep age distance (mm)	840
13	Rated mechanical terminal load	
a)	Straight load (Kgf)	35
b)	Across load (Kgf)	13.26
14	Phase to Phase spacing for installation(mm)	1500
15	Height of center line of terminal pad above ground level (mm)	4000

The isolator are required to be closed or interrupt the 33 kV line & UG cable line charging current. Hence isolators should be capable of closing or interrupting a current of magnitude indicated in 5.01 (iv) above.

5.04 CLEARANCE:

5.04.01 The clearance between live parts and ground structure shall not be less than those specified in the IS – 10118, part – III, 1982. The length of break in full open position should be such that there is absolutely, no possibility of arc over from the live parts to the de-energized parts on which any maintenance work have to be done. The speed of opening or closing the switch shall be designed to ensure that the arcing during the operation is reduced to the minimum.

6.0. GENERAL TECHNICAL REQUIREMENTS

TYPE OF ISOLATORS:

The ISOLATORS shall be of three phase gang operated horizontal, double break type with turn and twist type moving blades.

CURRENT DENSITY:

Current density, to be adopted, for all parts of isolator and terminal connector & shall not exceed the following limits.

- a) Hollow tube sections – Copper - 2.0 A / Sq. mm
- Aluminium -1.25 A/Sq. mm

b) Other sections and terminal connectors

Copper - 1.6 A/Sq. mm

Aluminium- 1.0 A/Sq. mm

Designs & Drawings

The full particulars of design, manufacture, template and quality control devices developed for manufacture of the equipments - offered in respect of the following items shall be furnished with drawings and descriptions.

SI No	Particulars
1	Contacts, Material etc.,
2	Design of contact pressure.
3	Contacts support and fixing arrangement on insulators
4	Turn and twist mechanism, clamps, locks, etc.
5	Bearings, housing of bearing, bushes, etc.
6	Balancing of heights.
7	Coupling pipes, joints, connection adjustments.
8	Base plates.
9	Down pipe, guides joints.
10	Brass bushes and bearings at various joints
11	Operating mechanism, type of gear, size and thickness of box, degree of protection. Gland plate, gland, etc.
12	Nuts, bolts and fasteners

TYPE AND CONSTRUCTION:

The design of the isolators shall be such that the switch can be changed to right or left hand control without excessive labour and with a minimum change of parts. The live parts shall be of non-rusting, non-corroding metal. Current carrying parts shall be nonferrous. Bolts, screws and pins shall be provided with lock washers, keys or other equipment locking facilities. Current carrying parts shall be made of copper alloy or equivalent material. The switch shall not require lubrication of any part, at frequent intervals.

The isolator shall be suitable for mounting in upright position (with the blades moving in horizontal plane) on steel / fabricated steel structures. The heights at which the isolators will be mounted along with phase to phase dimensions are as per clause 5.00, Part - I. Any change in dimensions, will be intimated to successful bidder. Necessary lengths of operating rod as required shall be supplied..

: OPERATING MECHANISM FOR MANUALLY OPERATED ISOLATOR:

- a) Manual operating mechanism, gang operated through crank & reduction gear shall be provided for main switch.
- b) The design of the operating mechanism shall be Such that minimum energy is required for operation and one person shall be able to operate the switch without undue effort. The blades shall be in positive continuous control throughout tile entire cycle of operation. Suitable reduction gear to achieve above aspects may be provided, for main switch and shall close or open with about 20 revolutions of the crank.
- c) The operating pipes and rods shall be sufficiently rigid to maintain positive control without tension or compression & there shall also be capable of withstanding all torsional and bending stresses due to operation of the disconnecting switch. It shall not be possible, after final adjustment has been made for any part of the mechanism to be displaced at any point in the travel sufficiently to allow improper functioning of the switch, when the switch is opened or closed at any speed. All holes, ill crank, linkages, etc., having moving pins, shall be drilled to accurate fit, so as to maintain the minimum amount of slack and lost motion. The operating mechanism and its controls shall be so designed that under no circumstances the switch blades travel is interrupted before it reaches the fully close or open position. The operating mechanism shall be suitable to hold the main switch or earth switch in closed or opened position to prevent operation by gravity, wind, short circuit, seismic acceleration, vibration, shock, accidental touching etc.

6.06. CONTROL CABINET:

The operating mechanism mid all accessories shall be enclosed in a weather, dust and vermin proof cabinet. The control cabinet of each operating mechanism shall be made out of 12 SWG (2.64 mm thick) steel sheet. or 10mm thick aluminum in the form plate or casting. Control cabinet shall be provided with hinged doors along with padlocking arrangement. Sloping rain hood shall be provided to cover all sides. 15 mm thick neoprene or better type gasket shall be provided to ensure degree of protection atleast IP 55 as per S : 2147.

The motor operating mechanism / manually operating mechanism shall be mounted on the base supporting structures or on a separate Support- structure at a height of 300 mm from the ground level. Operating or lever for manual operation shall be at a convenient height of 1000 mm above ground level for easy operation. The unsupported length of the operating rod shall not. exceed 3 meters. Guide bearings shall be provided at suitable intervals. All brackets angles or other members mid accessories necessary for fixing the operating mechanism to switch supporting structure. and the bearing for operating rods shall be supplied. Rust proof pins and bearings of the bronze bushing, ball or roller type shall be provided. All ball and roller bearings shall be protected from weather by means of covers and grease retainers. Bearing pressures shall be kept low to ensure long life.

GEAR:

The disconnect may be required to operate occasionally with considerably long idle intervals. Special care shall be taken for selection of material for gear and lubrication of gears to meet these requirements. The gears shall be made of bronze or any other better material and lubricated for life with graphite or better quality non-draining or non-hardening grease. complete details of components, materials, self-lubricating arrangement, grade of lubricant, details of jigs, fixtures and devices used for quality check shall be furnished in the bid.

CONSTRUCTIONAL FEATURES:

FIXED AND MOVING CONTACTS:

- a) The isolator shall have heavy-duty self-aligning high pressure - contacts of modern design. The contact shall be made of high grade, high conductivity, and heat resisting material. The main contacts shall be made of hard drawn electrolytic copper and the surface shall be silver plated. Arcing contacts wherever provided shall close first and open last.
- b) The isolators blades / arms shall be made preferably from tubular section of hard drawn electrolytic copper having suitable diameter and shell thickness, and the contact surface shall be heavily silver plated.
- c) The surface of the contacts shall be liberally designed to withstand safely the-highest short circuit current of the system as specified in the clause 05.01 (vii) - (viii) of part -I.
- d) The male and female contact assembly and blades shall ensure
 - i. Electro dynamic withstand ability during short circuit without any risk of repulsion of contacts.
 - ii. Thermal with stand ability during short circuits.
 - iii. Constant contact pressure even when the live parts of the insulators stacks are subjected to tensile stresses the insulators stacks are subjected to tensile stresses due to linear expansion of connected bus - bars, flexible conductors either because of temperature variation or strong winds.
 - iv. Self - wiping action during closing and opening (preferably twisting type contacts). The surface shall be wiped during closing and opening operation to remove any film, oxide coating, etc. wiping action shall not cause scouring or abrasion of surfaces.
 - v. Self - wiping ensuring smooth closing of the switch. The temperature rise of the contacts and other current carrying parts shall not be more than 45 °C over an ambient air temperature of 45°C, while carrying the rated current continuously. The temperature rise due to passage of rated short-circuit current for a period of 3 seconds shall not cause an), annealing or welding of contacts.
- e) Fixed guides shall be provided so that proper seating of contacts will be obtained by closing even when a blade is out of alignment by 2.5 min or less.
- f) All movable parts which may be in the current path shall be shunted by flexible copper conductors to prevent breaking due to repeated bending.
- g) Fabrication shall be made with suitable jig to avoid deviation during production. Details of size and shape of contact, springs, back plate, fixing arrangements, design of contact pressure, life of contacts, limit of temperature rise etc., shall be furnished along with the tender.

MOUNTING OF CONTACTS:

Fixed contacts shall be mounted on a block or channel welded to 10 mm thick M.S. plate with holes for fixing on insulators. Slots shall be provided for marginal adjustment of height of contacts. The contacts shall rest on a brass block and with initial tension. Suitable device shall be provided to prevent dashing. Fabrication, welding etc. shall be done in suitable jig to avoid deviation during production.

TURN AND TWIST MECHANISM:

Turn and twist mechanism shall be provided with adequate locking to avoid opening or loosening by wind, short circuit force etc., on moving blade. The springs shall be made out of stainless steel or phosphor bronze or any other better material to have adequate strength and resilience and shall be encased with grease to avoid exposure to rain. The clamps and plates be made out

of at least 10 mm thick M.S. plate or flat. Fasteners with unlock nuts shall be used wherever necessary. Vulnerable parts shall be fabricated by tubular gas cutting and milling. The entire-mechanism shall be fabricated in suitable jig and template to avoid deviations during production.

All lives parts shall be designed to have smooth surfaces without any sharp points, edges and other corona producing surfaces so as to eliminate corona at specified extinction voltage or at

1.1 x rated voltage, if extinction voltage is not specified.

FASTNERS:

Nuts, bolts and washers of M -16 and higher size shall be hot-dip galvanized. The bolts used on tapped holes of insulators cap shall be galvanized by centrifuge process to avoid excess deposition of zinc on threads. Nuts, bolts and washers of less than M -16 size shall be of stainless steel when used on live parts and nickel plated brass in other parts.

BEARINGS

- a) The design and construction of the various bearings should embody all the features required to withstand the climatic conditions specified to ensure dependable and effective operation, even after long period of in action. All bearings in the current path except those specially designed as high pressure contact should be shunted by flexible copper housing having adequate cross section.
- b) Rotating insulator shall be mounted on a housing with bearings. The housing shall be made of gravity die cast metal with smooth surfaces and suitably machined for seating the bearings. Two nos. of bearings with adequate shaft diameter and distance between the bearings shall be provided to avoid wobbling during operations. The bearings shall be of at least 75 mm internal diameter. The bearings shall be of reputed make and lubricated for life. All other friction locations shall be provided with suitable bearings or stainless or brass bushes. The bearings, bushes, joints, springs, etc., shall be so designed that no lubrication shall be required during the service. Complete details of bearings, bushes housing greasing, etc., shall be furnished with tender.

TANDEM AND DOWN PIPE:

- a) The operating down pipe mid tandem pipe shall be of heavy duty GI pipe of the following sizes (Bore dia) for different KV class
 - i. Bore dia of tandem pipe ----- 32 mm.
 - ii. Bore dia of down operating pipe – 50 mm
- b) The outside diameter and thickness of pipe shall be as follows
 as per table - 3 of IS : 1239 (Part - 1) 1990. Mild steel tubes. -

S1.	Nominal	outer dia	outer dia	Minimum
No.	Bore in	Maximum (mm)	Minimum(mm)	thickness
1.	32	42.9	42	4
2.	40	48.8	47.9	4
3.	50	60.8	59.7	4.5

Tandem pipe:

- a) Two Nos. of tandem pipe shall be used for phase coupling of double break isolator. Base plate of insulators for connection of tandem pipe shall be made out of one piece of at least 10 mm. thick MS plate. Bolt and shackle device shall be used to connect tandem pipe to the base plate. Wherever unavoidable, sliding clamps may be used. These clamps shall be made out of at least 10 mm thick MS plate with four(4) nos. of nuts and bolts. A grub screw shall be provided for securing connection of tandem pipes.
- b) The pipe shall be terminated into a suitable swivel or universal type joint between the insulator bottom bearing of the operating mechanism to take cares of marginal angular misalignment at site. All brackets, guides, etc., shall be mounted on the base of the isolator. Arrangement of mounting any guide, bracket, mechanism and the base shall not be accepted, for upright mounting type isolator.

6.15. BASE :

Each pole of the isolator shall be provided with hot dip galvanized rolled steel base provided with holes for mounting bolts and designed for mounting on a steel structure. The bases shall be rigid and self supporting and shall require the guying or cross bracing between phases other than the supporting structure. The composite frame of the base shall be made of single channel of 150 x 75 x 6 / 8 mm.

INSULATORS:

The isolator shall be provided with solid core insulators.

- a) These shall be of stacking type to be used. The dimensions and other parameters unless otherwise specified shall generally conform to IS - 5350-Part-11 & IEC 273.
- b) The cylindrical type post insulators shall be of solid core type. Insulators of similar type shall be interchangeable. The mechanical strength class for outdoor cylindrical post insulators shall be of strength class 6, corresponding mechanical strength in tension, compression and torsional shall be as per IS : 53550 Part - II. When operated at maximum system voltage, there shall be no electrical discharge. Shielding rings, if necessary shall be provided.
- c) The parameters of the insulators required shall conform to IS : 0350 - Part - II - 1973 or IEC 273.
- d) The cylindrical post insulators shall consist of single unit only.
- e) The insulator shall be provided with a completely galvanized steel base designed for mounting on the support. The base and mounting arrangement shall be such that the insulator shall be rigid and self supporting and no guying or cross bracing between phase shall be necessary.

Porcelain of the insulator:

- a) The porcelain used for the manufacture of the insulators shall be homogenous, free from laminations and other flaws or imperfections that might effect the mechanical or dielectric. quality and shall be thorough vitrified, tough and impervious to moisture. The glazing of the porcelain shall be uniform brown colour, with a smooth surface arranged to shade away rain water and free from blisters, burns and other similar defects. Insulators shall be inter-changeable.

- b) The porcelain and metal parts shall be assembled in such a manner and with such materials that any differential thermal expansion between the metal and porcelain parts throughout the operating temperature range will not loosen the parts or electrical strength or rigidity. The assembly shall not have excessive concentration of electrical stress in any section or across leakage surfaces. The cement used shall not give rise to chemical reaction with metal fittings. The insulator shall be suitable for water washing by rains or artificial means in service conditions. Further the insulators to be supplied shall be of high- quality and should not result in mismatch and misalignment of stacks during erection and operation.
- c) Each cap shall be of a high grade cast iron or malleable steel casting or steel forging. Cap and base insulators shall be interchangeable with each other. The insulator shall conform to the requirement of the latest edition of IS : 2544, or any other equivalent standard. The bidder should furnish the characteristics of insulators.

6.16.03 All the ferrous metal part shall be hot dip galvanized smoothly as per IS: 3638 (as amended up to date), IS : 2623 or any other equivalent authoritative standard. The material shall be galvanized only after shop operations upon it have been completed. The metal parts for galvanization should be thoroughly cleaned of any paint, grease, rust, scales or alkalis or any foreign deposit which are likely to come in the way of galvanization process. The metal parts coating shall withstand minimum four one minute dips in copper sulphate solution as per IEC - 168.

The insulator unit shall be assembled in a suitable jig to ensure correct positioning of the top and bottom metal fittings relative to one another. The phases of the metal fitting shall be parallel and at right angle to the axis of the

insulator and corresponding holes in the top and bottom metal fittings shall be in a vertical plane containing the axis of the insulator.

It shall be sole responsibility of the supplier to carry out thorough inspection and quality checks on the insulators at the insulator supplier works before offering the insulators for purchaser's inspection.

PADLOCKING DEVICE:

The insulator shall be provided with padlocking device to permit locking of the insulator in both fully open and fully closed positions.

EARTHING:

The frame of each disconnect shall be provided with two reliable earthing terminals for connection to the earthing conductor / flat so also clamping screw suitable for carrying specified short time current. The diameter of clamping screw shall be at least 12 mm. The connecting point shall be marked with earth symbol.

TERMINAL CONNECTORS

- a) The disconnecting switches shall be provided with high conductivity bimetallic terminal connectors and suitable for Aluminium pipes (BS 1600 schedule 40) and 100 mm AAA conductors & 120 sqmm U.G.cable, the size of which will be indicated. to successful bidder. The connector shall be rigid in respect of AAA conductors & flexible for UG Cable connections. The terminal connectors shall be expansion type in respect of Aluminium pipes. The terminal connector shall conform to IS : 5561 1970.
- b) Further the terminal connectors shall be suitable for both horizontal or vertical take off.

- c) For bimetallic type of connectors, necessary steps shall be taken by the manufacturers to ensure that there is no adverse effect on the connector and the connected equipment due to bimetallic action.

SUPPORTING STRUCTURE:

These galvanized support structures shall be fabricated as per the requirement.

ASSEMBLY

The disconnect shall be fully assembled at the works of the bidder. Typical operation shall be carried out on each type of fully assembled disconnect to ascertain that all parts fit correctly and function satisfactorily.

PAINTING, GALVANIZING AND CLIMATE PROOFING:

- a) All interiors and exteriors of enclosures, cabinets and other metal parts shall be thoroughly cleaned to remove all rust scales, corrosion, grease and other adhering foreign matter and surfaces treated by recognized phosphating (Eg. Seven tank phosphating sequence), After such preparation of surfaces two coats of zinc oxide primer shall be given by suitable stoving and air-drying, etc., before final paint.
- b) Colour of the final paint shall be of shade No. 631 of IS-5, i.e., epoxy light grey. The final painted cubicle shall present aesthetically pleasing appearance free from any dent or uneven surface. Paint inside the metallic housing shall be of anti-condensation type and the paint on outside surfaces shall be suitable for outdoor installation.
- c) All ferrous parts not suitable for painting such as structural steel, pipes, rods, levers, linkages, nuts and bolts used in other than current path etc., and also supporting structures shall be hot dip galvanized. Galvanization shall be done after completion of fabrication which shall be capable to prevent corrosion in view of the severe climatic conditions.
- d) Thickness of zinc coating shall not be less than 610 gm of zinc per sq. meter of surface. Zinc coating shall be smooth clean and of uniform thickness and free from defect. Preparation of galvanizing and the galvanizing itself shall not adversely affect the mechanical properties of the coated material, The quality shall be established by tests per IS : 2633. Galvanizing of nuts and bolts shall be carried out by centrifugal or suitable process so that the bolts will easily fit into the tapped holes / nuts.
- e) All components shall be given adequate treatment of climate proofing as per IS : 3202 so as to withstand corrosion and severe conditions.

TESTS :

Type tests :

- a) The equipment offered, shall be fully type tested. The type test reports shall not be older than 5 years on the day of bid opening. The type tests are to be conducted again if the reports are older than 5 years on the day of bid opening at no extra cost to owner.
- b) During the type test the disconnect shall be mounted on its own support structure or equivalent support structure and installed with its own operating mechanism to make the type test representative. Drawing of equivalent support structure if any and mounting arrangement made for type tests shall be furnished for purchaser's approval before conducting the type tests.
- c) The type tests shall be conducted on the disconnect along with approved insulators and terminal connectors.
- d) Mechanical endurance test shall be conducted on the main switch.

e) LIST OF TYPE TESTS:

List of type tests to be carried out as per IS : 9921 Part - VI 1985, are as given below.

- i. Visual examination of components,
- ii. Dimensional verification of parts.
- iii. Assembly, interchangeability and verification of critical dimensions.
- iv. Measurement of resist-circuit of main circuit and earth circuit (before and after mechanical endurance test)
- v. Temperature rise test (before and after mechanical endurance test)
- vi. Mechanical endurance test.
- vii. Short time withstand current and peak withstand current tests.
- viii. One minute power frequency voltage wet withstand tests across the isolating distances and to earth.
- ix. Standard lightning impulse voltage withstand tests on auxilia~3, and control circuits and auxiliary switches.
- x. One minute power frequency, withstand voltage test on auxiliary and control circuits and auxiliary switch.
- xi. Verification of operation during application of rated mechanical terminal loads.
- xii. Galvanization tests.
- xiii. Chemical composition of contact material, springs and fasteners and bushes.
- xiv. Physical tests on springs and fasteners and copper strip / tubes.

ACCEPTANCE AND ROUTING TESTS:

- a) All acceptance and routine tests as stipulated in the relevant standards shall be carried out by the supplier in presence of purchaser's representative.
- b) Mechanical operation tests (routine test) shall. be conducted on the complete disconnect (man switch and earth switch) at supplier's works and a certified test report be furnished to the purchaser. Alternatively the bidder may offer to conduct this test at purchaser's sub-station in which case the purchaser shall make necessary arrangement to erect the disconnect at his sub-station site under supervision of bidders representatives for supervision shall not be borne by the purchaser.
- c) The test report of power frequency voltage withstand test conducted on the insulator shall be furnished for purchaser's acceptance in lieu of conducting the power frequency (dry) test on main circuit (routine test).

d) LIST OF ROUTING TESTS:

List. of routine test to be carried out as per IS : 9921, Part - IV - 1985 are as given below:

- i. Visual examination of components.
- ii. Assembly, interchangeability and verification of critical dimensions.
- iii. One minute power frequency voltage dry withstand tests across the isolating distance and to earth.
- iv. Measurement of resistance of isolator contacts and between terminals of the main circuits.
- v. Power frequency voltage withstand tests on auxiliary and control circuits and auxiliary switches at 2 KV (rms) for one minute.
- vi. Mechanical operation tests.

SPECIAL TESTS

Special tests listed below shall be carried out in presence of purchaser's representative.

- a) Test on insulators – Conforming to IS - 2544
- b) Test on insulators – Conforming to IEC - 168
- c) Test on terminal connectors – IS : 5561
- d) Operation tests on operating mechanism - IS : 2623.
- e) Test certificates and documents of the following items shall be furnished at the time of routine tests.
 - Chemical analysis of copper.
 - Bearings
 - Fasteners
 - Universal/ swivel joint coupling.
 - Insulators.
 - Gears

8.00 INSPECTION

The inspection may be carried out by the purchaser at any stage of manufacture. The successful bidder shall grant free access to the purchaser's representative at a reasonable time when the work is in progress. Inspection and acceptance of any equipment under this specification by the purchaser, shall not relieve the supplier of his obligation of furnishing equipment in accordance with the specification and shall not prevent subsequent rejection if the equipment is found to be defective. The supplier shall keep the purchaser informed in advance, about the manufacturing programme so that arrangement can be made for inspection. The purchaser reserves the right to insist for witnessing the acceptance / routine testing of the bought out items.

9.0. DOCUMENTATION:

All drawings shall conform to International Standard Organization (ISO) ' A ' series of drawing sheet / Indian standards specification IS : 656. All drawings shall be in ink and suitable for micro filming. All dimensions and data shall be in system international units.

LIST OF DRAWINGS AND DOCUMENTS:

The bidder shall furnish the following drawings along with his offer:

- a) General outline and assembly drawings of the disconnect, operating mechanism, structure, insulator and terminal connector.
- b) Sectional views and descriptive details of items such as moving blades, contacts arms, contact springs, contact support, turn and twist mechanism, bearing, housing of bearing, bushes, balancing of heights, phase coupling pipes, base plate, operating shaft, guides, swivel -joint operating mechanism and its components, etc.
- a) Loading diagram.
- b) Drawings with structure for the purpose of type test
- c) Name plate
- d) Schematic drawing
- e) Type test reports in case the equipment has already been type tested
- f) Test reports, literature, pamphlets of the bought out items and raw material.

INSTRUCTION MANUALS

The two copies of the erection, operation and maintenance manuals in English shall be supplied one month prior to dispatch of the equipment. The manual shall be bound volume and shall contain all drawings and information required for erection, Operation and maintenance of the disconnect including but not limited to the following particulars.

- a) Marked erection prints identify the component parts of the disconnect as shipped with - assembly drawings.
- b) Detailed dimensions and description of all auxiliaries.
- c) Detailed views of the insulator stacks, metalics, operating mechanism, structure etc.

LIST OF MANUFACTURERS:

- a) SWITCHGEAR & STRUCTURAL,
- b) MULAR,
- c) CGL ,
- d) GR POWER ,
- e) AREVA,
- f) SIEMENS

The bidders can only offer the above manufacturer's equipments.

Section-VI

Lightning Arrestor

TECHNICAL SPECIFICATION OF 33 KV LIGHTNING ARRESTOR (VOLTAGE CLASS SURGE ARRESTORS)

The specification covers the design, manufacture, shop & laboratory testing before despatch, supply delivery of 33 KV, Station class heavy duty, gapless metal oxide Surge Arrestors, insulating base, clamps, complete fittings & accessories suitable for 33 KV transformers/feeders including arrester's electrode earthing.

1.0 STANDARDS

The design, manufacture and performance of Surge Arrestors shall comply with IS: 3070 Part-3 and other specific requirement stipulated in the specification Unless otherwise, specified, the equipment, material and processes shall conform to the latest applicable Indian/International Standards as listed hereunder:

IS: 2071-1993 (Part-1)	:	Methods of High Voltage Testing General Definitions & Test Requirements.
IS: 2071-1974 (Part-2)	:	Test Procedures
IS: 2633-1986	:	Methods for Testing uniformity of zinc coated Articles.
IS: 3070-1993 (Part-3)	:	Specification for surge arrester for alternating current system Metal-Oxide lightning Arrestors without gaps.
IS:4759-1996	:	Specification for hot dip zinc coating on Structural Steel and other allied products.
IS: 5621-1980	:	Hollow Insulators for use in Electrical Equipment.
IS: 6209-1982	:	Methods of Partial discharge measurement.
IS: 6745-1980	:	Methods for determination of mass of zinc coating on zinc coated iron and steel articles.
IEC:TC-37	:	Test Procedures.
ANSI/IEEE-C.62.11(1982)	:	Metal Oxide, Surge Arrester for A.C. Power Circuits.
IEE-99-4	:	Surge Arrestors.

The equipment complying with any other internationally accepted standards shall also be considered if it ensures performance equivalent to or superior to the India Standards.

GENERAL REQUIREMENT

The Metal Oxide gap less Surge Arrester without any series or shunt gap shall be suitable for protection of 33 KV power transformers, associated equipment and 33 KV lines from voltage surges resulting from natural disturbance like lightning as well as system disturbances.

The surge arrester shall draw negligible current at operating voltage and at the same time offer least resistance during the flow of surge current.

The surge arrester shall consist of non-linear resistor elements placed in series and housed in electrical grade porcelain housing/silicon polymeric of specified creepage distance.

The assembly shall be hermetically sealed with suitable rubber gaskets with effective sealing system arrangement to prevent ingress of moisture.

The surge arrester shall be provided with line suitable for ACSR 'Panther' Conductor for vertical and horizontal take off. The earth terminals shall be provided of suitable size. The groundside terminal of surge arrester shall be connected with 50x6mm- galvanized strip, one end connected to the surge arrester and second end to a separate ground electrode (Electrode type of earthing). The contractor shall also recommend the procedure which shall be followed in providing the ear thing/system to the Surge Arrester.

The surge arrester shall not operate under power frequency and temporary over voltage conditions but under surge conditions, the surge arrester shall change over to the conducting mode.

- 2.7 Surge arrester shall have a suitable pressure relief system to avoid damage to the porcelain/silicon polymeric housing and providing path for flow of rated fault currents in the event of arrester failure.

The reference current of the arrester shall be high enough to eliminate the influence of grading and stray capacitance on the measured reference voltage.

The surge arrester shall be thermally stable and the contractor shall furnish a copy of thermal stability test with the bid.

The arrestors for 33 KV system shall be suitable for mounting on transformers as well as in the yard. The supplier shall furnish the drawing indicating the dimensions, weight etc. of the surge arrestors for the design of mounting brackets.

The arrester shall be capable of handling terminal energy for high surges, external pollution and transient over voltage and have low losses at operating voltage.

ARRESTOR HOUSING

The arrester housing shall be made up of porcelain/silicon polymeric housing and shall be homogenous, free from laminations, cavities and other flaws of imperfections that might affect the mechanical and dielectric quality. The housing shall be uniform brown colour, free from blisters, burrs and other similar defects.

Arrestors shall be complete with insulating cases, fasteners for stacking units together and terminal connectors.

The housing shall be so coordinated that external flashover shall not occur due to application of any impulse or switching surge voltage upto the maximum design value for arrester. The arrestors shall not fail due to contamination. The 33 KV arrestors housing shall be designed for pressure relief class as given in Technical Parameters of the specification.

Sealed housing shall exhibit no measurable leakage.

TESTS

Test on Surge Arrestors

The Surge Arrestors offered shall be type tested not earlier than 5 years before the date of opening of this tender. The surge arrestors shall be subjected to routine and acceptance tests in accordance with IS: 3070(Part3)-1993. In addition, the suitability of the Surge Arrestors shall also be established for the following:

- * Residual voltage test
- * Reference voltage test
- * Leakage current at M.C.O.V.
- * P.D. Test
- * Sealing test
- * Thermal stability test
- * Aging and Energy capability test
- * Watt loss test

Each metal oxide block shall be tested for guaranteed specific energy capability in addition to routine/acceptance test as per IEC/IS.

The maximum residual voltages corresponding to nominal discharge current of 10KA for steep current, impulse residual voltage test, lightning impulse protection level and switching impulse level shall generally conform to Annexure-K of IEC-99-4.

The bidder shall furnish the copies of the type tests and the characteristics curves between the residual voltage and nominal discharge current of the offered surge arrestor and power frequency voltage V/s time characteristic of the surge arrestor subsequent to impulse energy consumption as per clause 6.6 of IS: 3070 (Part-3) offered along with the bid.

The surge arrestors housing shall also be type tested and shall be subjected to routine and acceptance tests in accordance with IS: 2071.

Galvanization Test

All Ferrous parts exposed to atmospheric condition shall have passed the type test and be subjected to routine and acceptance test in accordance with IS: 2633 & IS: 6745.

NAME PLATE

The nameplate attached to the arrestors shall carry the following information: -

- * Manufacturing Trade Mark
- * Year of Manufacture
- * Rated Voltage
- * Continuous Operation Voltage
- * Pressure relief rated current
- * Name of Client-
- * Purchase Order Number along with date.

6.0 INSPECTION

- 6.1 All tests and inspection shall be made in the manufacturer's works unless otherwise specifically agreed upon by the manufacturer and purchaser at the time of placement of purchase order. The manufacturer shall afford to the inspector representing the purchaser, all reasonable facilities, without charge to satisfy him that the material being furnished is in accordance with these specifications. The purchaser reserves the right to get an component/material being used by the manufacturer of the Surge Arrestor tested from any recognized test house.
- 6.2 The inspection by the purchaser or his authorized representative shall not relieve the contractor of his obligation of furnishing equipment in accordance with the specifications.

DRAWING AND INSTRUCTION MANUALS

Within 15 days of receipt of the order, the successful tenderer shall furnish to the purchaser the following drawings and literature for approval:

- a. Outline dimensional drawings of Surge Arrestor and all accessories.
- b. Assembly drawings and weights of main component parts.
 - c. Instructions manual
 - d. Drawing showing details of pressure relief value
 - e. Volt-time characteristics of surge arrestors.
 - f. Detailed dimensional drawing of porcelain housing/ Silicon polymeric
i.e. internal diameter, external diameter, thickness, height profile,
creepage distance, dry arcing distance etc.

GURANTEED TECHNICAL PARTICULARS FOR
33KV LIGHTNING ARRESTOR

(To be submitted along with offer)

Sl. No.	Particulars	Bidder's Offer
1.	Name of manufacturer.	
2.	Type Designation	
3.	Model (Drawing No.)	
4.	Applicable Standard	
5.	No. of units per Arrestors	
6.	Rated Voltage	
7.	Nominal discharge current 8/20 micro second wave (KA)	
8.	Maximum continuous operating Voltage	
9.	Insulation withstand voltage power frequency.	
10.	Maximum Lightning Impulse Residual voltage (8/20 micro second wave	
	i) 5000 A KV Peak	
	ii) 10000 A KV Peak	
	iii) 20000 A KV Peak	
11.	Maximum steep current Impulse Residual voltage at 10 KA of micro second front time.	
12.	Maximum Switching Impulse Residual voltage 50 x 100 micro seconds at 500 Amps.	
13.	Current Impulse withstand capability.	
	i) Long duration discharge class.	
	ii) Minimum energy discharge capability	
14.	Protective Ratio	
15.	High current impulse withstand value (4 x10 Micro seconds)	
16.	Pressure relief class.	
	i) High current	
	ii) Low current	
17.	Reference current of the arresters Ambient	

18.	Current at M.C.O.V. (Maximum Continuous	
	i) Resistive Current IR	
	ii) Capacitive voltage IC	
19.	Temporary over voltage capability	
	i) 0.1 second	
	ii) 1.0 Second	
	iii) 10.0 Second	
	iv) 100 second	
20	a) Total Creepage Distance	
	b) Protected Creepage Distance	
21.	Over all dimensions	
	i) Height	
	ii) Diameter	
22.	Cantilever strength KG-M	
23.	Mounting flange dimensions	
24	Minimum Clearance	
	i) Between Arrestors	
	ii) Arrestor and adjoining - objects	

Section-VII

33kV HT UG Cable

TECHNICAL SPECIFICATIONS FOR 33kV XLPE INSULATED UNDERGROUND CABLES

SCOPE :

The scope of this specification covers the design, manufacture, stage inspection at works, inspection and testing the finished cables 33kV aluminum conductor. Three Core 400 square millimeter and 300 square millimeter XLPE insulated screened, DRY CURED Power cables for use with effectively earthed urban distribution system at manufacturer's works. One portion from Janla 33/11kV s/s to IOCL depot Jatni is proposed for 3 core ,300 sqmm XLPE insulated Cable and the rest cable portion is proposed for 3 core ,400 sqmm XLPE insulated as per the SLD given herewith.

RATED VOLTAGE

The rated voltage of the cable shall be 33000 Volts AC with the highest system voltage of 36000 Volts between phases of the effectively earthed three phase-distribution system.

APPLICABLE STANDARDS:

Unless otherwise stipulated in the specifications, the latest version of the following Standards shall be applicable.

- a. IS 8130 – Conductors for Insulated electrical cables and flexible cords, H4 Grade Aluminium Conductor, Stranded compacted Circular.
- b. IS 10810 (series) – Methods of tests for cables.
- c. IS 10418 – Drums for electrical cables.
- d. IS 7098 (Part 2) – Cross – linked Polyethylene Insulation for Cables.
- e. IS 3975 – Specification for mild steel wires, strips and tapes for armoring of cables.
- f. IS 5831 – Specification for PVC insulation sheath for electric cables. Dimensions of protective coverings of cables Part 1 – Elastomeric and thermoplastic insulated cables.

The Cables manufactured to any other Internal Standards like BSS, IEC or equivalent standards not less stringent than Indian Standards are also acceptable. In such cases, the Bidders shall enclose a copy of the equivalent international standard, in English language, along with the bid.

CLIMATIC CONDITIONS:

- Maximum temperature of air in shade : 50 Degree C
- Minimum temperature of air in shade : 15 Degree C
- Maximum temperature of air in sun : 65 Degree C
- Maximum humidity : 87%
- Average No. of thunder storm days per annum : 50
- Average No. of dust storm days per annum : 10
- Maximum rainfall per annum : 3000 mm

- Average rainfall per annum : 925 mm
- Limits of ambient temperature over a period of 24 hours: 47 Deg. C and 27 Deg. C in summer and 30 Deg. and 7.5 Deg. C during winter
- Maximum wind pressure : 260 Kg/Sq.m
- Altitude : 1000 M above MSL

PRINCIPAL PARAMETERS:

- The Power cable shall be 33 KV grade high conductivity stranded, compacted, aluminum shaped conductor of flexibility grade-2, 3 core dry cured and dry cooled (DCDC) XLPE insulated, extruded inner PVC sheathed, galvanized steel strip armored, with separate extruded PVC outer sheathed overall, conforming generally to IS:7098 (Part-II/1985) or any latest amendment thereof suitable for 33 KV / 11 KV 3 Phase 50 C/S earthed system.
- **CONDUCTOR:** The cable conductor shall be made from stranded aluminum to form compact shaped conductor having resistance within the limits specified in IS: 8130/1984 and any amendment thereof. The wires shall be laid up together with a suitable right hand lay.
- **CONDUCTOR SHIELD:** The conductor having a non-magnetic semi-conducting screen shall ensure perfectly smooth profile and avoid stress concentration. This conductor screen shall be extruded in the same operation as the insulation; the semi-conducting polymer shall be cross linked.
- **INSULATION:** The XLPE insulation should be suitable for specified 33 KV system voltages. The curing process of XLPE insulation should be dry cured. The manufacturing process shall ensure that insulations shall be free from voids. The insulation shall withstand mechanical and thermal stresses under steady state and transient operating conditions. The extrusion method should give very smooth interface between semi-conducting screen and insulation. The insulation of the cable shall be high stranded quality, specified in IS:7098 (Part-II/1985).
- **INSULATION SHIELD:** To confine electrical field to the insulation, non-magnetic semiconducting shield shall be put over the insulation. The insulation shield shall be extruded in the same operation as the conductor shield and the insulation by triple extrusion process. The XLPE insulation shield should be strippable. Metallic screening shall be provided.
- **SHEATH:** The sheath shall be suitable to withstand the site conditions and the desired temperature. It should be of adequate thickness, consistent quality and free from all defects. The PVC sheath shall be extruded as per IS: 7098 Part-II/1985.

- **ARMOUR:** Armoring shall be applied over the inner sheath with single galvanized steel wire/strip complying with the requirements of IS: 3975/1979. The dimensions of the galvanized wire/strip shall be as specified in table 4 of the IS: 7098/Part-II/1985. The armour wire/strips shall be applied as closely as practicable. The direction of the lay of the armour shall be left hand. The joints in armour wire/strip shall be made by brazing or welding and the surface irregularities shall be removed. A joint in any wire/strip shall be at least 300mm from the nearest joint in any other armour wire/strip in the complete cable.
- **OUTER SHEATH:** Extruded PVC outer sheath as per IS:5831/1984, shall be applied over armoring with suitable additives to prevent attack by rodents and termites. Outer sheathing shall be designed to offer high degree of mechanical protection and shall also be heat, oils, chemicals, abrasion and weather resistant. Common acids, alkalis, saline solutions etc., shall not have adverse effects on the PVC sheathing material used. The cable shall be suitable for laying in covered trenches and/or buried underground to meet the outdoor application purposes.
- **Conductor Screening:** Extruded, cross-linked, semi-conducting compound of 1.0mm thickness for 33 KV

CONSTRUCTION:

- The cable shall have suitable PVC fillers laid up with insulation cores to provide substantially circular cross section before the inner sheath is applied. The fillers should be suitable for the operating temperature of the cable and compatible with the insulating material.
- All materials used in the manufacture of cable shall be new, unused and of finest quality. All materials should comply with the applicable provisions of the tests of the specification, IS, Indian Electricity Rules, Indian Electricity Act and any other applicable statutory provisions, rules and regulations.
 - The PVC material used in the manufacture of cable should be of reputed manufacturer. No recycling of the PVC is permissible. The purchaser reserves the right to ask for documentary proof of the purchase of various materials to be used for the manufacture of cable and to check that the conductor is complying with quality control.
 - Maximum Permissible emergency overload temp. at 25% overload to 100 hrs. per year or 500 hrs. in life of cable :1300C for 1 hour.
Maximum Permissible short circuit temperature : 2500 C for 1 hour.

7.0 CURRENT RATING:

The cables will have current ratings and derating factors as per relevant Indian Standards. The one second short circuit current rating values shall be furnished and shall be subject to the purchaser's approval. The current ratings shall be based on maximum conductor temperature of 90Deg.C with ambient site condition specified for continuous operating at the rated current. The Short circuit current rating should be 28.2 KA for 1sec for 33 KV, 300 mm² and 37.6 KA for 1 sec. for 33 KV, 400 mm², XLPE UG Cable.

8.0 OPERATION

Cables shall be capable of satisfactory operation, under a power supply system frequency variation of plus or minus 3 Hz., voltage variation of plus or minus 10% and combined frequency voltage variation of 10% (absolute sum). Cable shall be suitable for laying in ducts or buried under ground. Cable shall have heat and moisture resistance properties. These shall be of type and design with proven record on Distribution Net work services.

9.0 LENGTHS:

The cables shall be supplied in standard drum lengths of 250Mtr. ±5% for 33 KV Cables.

10.0 IDENTIFICATION:

For identification of individual cores, colored tape of red, yellow and blue colors cores respectively shall be used on the on frequent intervals to identify phase conductors as per IS: 7098 / Part-II/1985.

MARKING ON THE DRUM: The following information either stenciled on the reel or drum or contained in a label attached to it shall be carried by the cable.

Reference : IS:7098/Part-II

Manufacturers Name, Brand name or Trade mark

Type of cable and voltage grade

Number of cores

Nominal cross sectional area of conductor

Cable code

Length of cable on the reel or drum

Number of lengths on the reel or drum

Direction of rotation of drum (by means of arrow)

Approximate gross weight

Year of manufacture

The reel, drum, or label may be marked with IS Certification mark

The Purchased drum Order shall be number marked and—Namedate.of Bayer – CESU, Orissall.

EMBOSSING ON THE OUTER SHEATH OF CABLE :

Each cable shall have the range of non-erasable distinct markings listed below legibly printed on its outer sheath at one meter intervals.

ISI Mark with B.I.S License No. & ISS No. Applicable legibly embossed on the insulation.

Buyer s name : CESU, Odisha

Manufacturer

Year of manufacture: sName last with two trademark digits are identifications sufficient.

Size of Cable

Rated voltage class:

Sequential marking of length.

The height of the printed lettering shall be not less than 20% of the overall diameter of the conductor

11.0 TESTS

The following tests shall be carried out in accordance with IS:8130/1984, IS:3975/1979 (Armouring), IS:5831/1984, IS:10810 (Methods of test for cables), IS:7098/Part-II/1985.

TYPE TESTS: The following shall constitute the type tests :

Tensile test (for aluminum) in accordance with IS:8130/1984.

Wrapping test (for aluminum) in accordance with IS:8130/1984.

Conductor resistance tests (in accordance with IS:8130/1984)

Test for thickness of insulation and sheath (in accordance with IS:10810)

Physical test for insulation and sheath (in accordance with IS: 10810 and IS: 5831/1984).

Test for bleeding and blooming of pigments (in accordance with IS:5831/1984)

Insulation resistance test (in accordance with IS:5831/1984)

High voltage test (water immersion test) in accordance with IS:10810.

ACCEPTANCE TESTS: The following shall constitute the acceptance tests:

Tensile test (for aluminum) : IS:8130/1984

Wrapping test (for aluminum) : IS:8130/1984

Conductor resistance test : IS:8130/1984

Test for thickness of insulation : IS:5831/1970 & IS:10810

Insulation resistance test : IS:5831/1970 & IS:10810

Partial discharge test: IS: 7098/part-II/1985.

ROUTINE TESTS: The following shall constitute routine tests : Conductor resistance test (in accordance with IS:8130/1984) High voltage test or spark test (in accordance with IS: 10810)

12.0 INSPECTION

All acceptance tests shall be conducted at the time of inspection and inspection shall be made at the place of manufacture unless and otherwise specifically agreed upon by the manufacturer and purchaser at the time of purchase. The manufacturer shall afford the inspector representing the purchaser all reasonable facilities, without charges to satisfy him that the material is being furnished in accordance with the specification. The purchaser has the right to have the test carried out at his own cost by an independent agency whenever there is dispute regarding the quality of supply.

13.0 PACKING

The cable shall be either wound on reels or drums, the packing shall be robust enough for rough handling that is occasioned during transportation by Rail/Road.

14.0 GUARANTEED TECHNICAL PARTICULARS:

Guaranteed technical particulars of the cables to be furnished with the Bid are enclosed.

DRAWING & LITERATURE

The following shall be furnished along with the tender

- a) Cross sectional drawings of the cables, giving dimensional details for each size of cable.
- b) An illustrated literature on the cable, giving technical technical information, on current ratings, cable constants, short circuit ratings, derating factors, for different types of installation, packing date, weights and other relevant information.

16.0 Schedule of Requirement, Desired deliveries and Prices

The schedule of requirement and desired deliveries etc. are indicated in the GTP.

17.0 INSTALLATION CONDITIONS

The cables are laid directly buried in ground, in the bores formed by horizontal boring method. The Nominal depth of laying is up to 2000 mm (from top, of ground to centre of cable).However, in trenchless horizontal bore method, the bore can go up to a depth of a maximum of 2 meter. Nature of soil is heterogeneous, sandy, Soil resistivity varies between 18 to 100 ohmmeter and the Thermal resistivity is around 1200 to 1500 C/ Cm/w. Only firm prices shall be quoted.

QUANTITY

Tenderer may quote the quantity that they can offer immediately within a month of the issue of

purchase order and the minimum time required to supply the full quantity.

ISI CERTIFICATION: Tenderer having ISI certification marking will only be considered.

DRAWING & LITERATURE: The following shall be furnished along with the tender Cross sectional drawings of the cables, giving dimensional details for each size of cable. An illustrated literature on the cable, giving technical information, on current ratings, cable constants, short circuit ratings, de-rating factors, for different types of installation, packing date, weights and other relevant information.

LIST OF MANUFACTURERS:

- a) HAVELS
- b) UNIVERSAL
- c) NICO
- d) GLUSTER
- e) POLYCAP
- f) DIMOND
- g) FINOLEX
- h) KEI

The bidders can only offer the above cable manufacturer's equipments. However manufacturers other than the above list may be considered based on their previous experience and approval of CESU.

**GURANTEED TECHNICAL PARTICULARS TO BE
FURNISHED BY THE BIDDER**

- 1. CABLES**
 - a) Manufacturer
 - b) Trade Name
- 2. Type of Cable**
- 3. Applicable specification & Standards**
- 4. Voltage Class**
- 5. Whether suitable for extrusion technique is employed in the manufacture of conductor screen**
- 6. Whether triple extrusion technique is employed in the manufacture of conductor screen**
- 7. Permissible voltage and frequency variation for satisfactory operation**
- 8. Continuous Current Rating for standard conditions indicated in specifications:**
 - c) Air (45⁰ C Ambient)
 - d) In Ground (35⁰ C)
 - e) In Duct
 - f) In Trench
- 9. De-rating factors for various laying conditions**
- 10. Conductor**
 - a) Material
 - b) Shape of conductor
 - c) Nominal area of cross section
 - d) Number of strands per core
 - e) Diameter of Wire (before compacting and stranding)
 - f) Diameter and size of conductor
- 11. Conductor Screening**
 - a) Type
 - b) Material
 - c) Nominal thickness
 - d) Continuous working temperature
 - e) Maximum allowable temperature at the termination of short circuit
- 12. Insulation**
 - a) Material
 - b) Thickness of Insulation
 - c) Thickness of Insulation between cores
 - d) Thickness of Insulation between cores and inner sheath
 - e) Tolerance of thickness in insulation
 - f) Diameter of core over insulation
- 13. Specific Insulation Resistance at 900C**
- 14. Process of curing**
- 15. Whether XLPE Insulation filled or unfilled**
- 16. Insulation Screening:**
 - a) Material
 - b) Thickness
 - c) Thickness of semi conducting part
 - d) Thickness of metallic part
 - e) Size of copper tape
 - f) Whether overlapping provided
 - g) Current carrying capacity for continuous rating
 - h) Current carrying capacity for short circuit rating for 1 minutes

 - i) Diameter of cable over screening
 - j) Whether insulation screen is removable without the application of heat
- 17. Inner Sheath**
 - a) Material
 - b) Extruded or wrapped
 - c) Minimum thickness
 - d) Diameter of cable over inner sheath

18. Armouring:
 - a) Material
 - b) Type of Armouring
 - c) Diameter of wire
 - d) Whether galvanized
 - e) Diameter of cable over Armouring
 - f) Current carrying capacity of Armor
19. Outer Sheath:
 - a) Material
 - b) Minimum thickness of sheath
 - c) Tolerance over thickness of sheath
 - d) Overall diameter of cable
20. Scheme for identification of cable
21. Allowable/attainable maximum conductor temperature when carrying rated current continuously
22. Cable constants:
 - a) DC Resistance per core 20°C
 - b) AC Resistance per core at operating temperature
 - c) Reactance
 - d) Capacitance
 - e) Insulation Resistance at 27°C
 - f) Loss tangent
 - g) Dielectric constant – Maximum cable charging current at normal operating voltage
23. Factory Tests (Enumerate in detail for each type of cable)
24. Is the offered cable guaranteed to safely withstand continuous conductor temperature at 90°C and also safely withstand temperature upto 130°C for a duration of one hundred hours per year.
25. Are the offered Three core cable guaranteed to perform satisfactorily under installation conditions specified? If 'Yes' furnish relevant calculations in support including the following data:
 - a) Induced voltage in the Armour when a 500 mtr long cable is carrying current
 - b) Induced voltage and the circulating current in the copper tape

TENDERER.

Section-VIII

HT cable joints and terminals

TECHNICAL SPECIFICATIONS FOR HEAT SHRINKABLE CABLE JOINT KITS FOR CABLE TERMINATIONS AND JOINTS

GENERAL:

The term heat shrink refers to extruded or molded polymeric materials which are cross linked to develop elastic memory and supplied in expanded or deformed size or shape. The manufacturer of kits besides stating the properties of each component of the kit as indicated below and as per the detailed specifications should also state the source of origin of each component viz; whether locally manufactured or imported in raw material form and processed. The manufacturing activity carried out on each component should be stated. Also, in case the kit is assembled with components imported from two or more foreign suppliers, the manufacturers should give documentary proof supported by the foreign manufacturers confirming that the kit assembled utilizing components of different suppliers are guaranteed by them.

2.0 QUALIFYING EXPERIENCE:

- 2.1. The kits should have satisfactory performance record in India in excess of 5 years supported with proof of customers having had satisfactory use of these kits in excess of 5 years.

3.0 HEAT SHRINKABLE MATERIAL:

The heat shrinkable material component used in the joint shall have been produced in a systematic procedure as follows:

- a) The required materials shall be mixed and extruded into the required shape and then cross-linked by irradiation or any other appropriate chemical process. The components are then warmed and stretched by a predetermined amount and allowed to cool in the extruded shape. The cross-linking shall create a memory and when heated again, the same shall come back to its original shape at which it was cross-linked. Heat shrinkable tubes can be reduced to 30% of its expanded dimension by heating.
- b) The volume resistivity of the sleeves shall be 10^8 ohm-cm and the dielectric constant of around 15 to 30. The limiting temperature shall not be less than 100°C for longer duration and 250°C for one minute.

4.0 TYPE TEST REPORTS:

The Joints and terminations should have been subjected to all the type tests and type test reports not later than 5 years on the day of Bid opening shall be furnished for verification.

5.0 ELECTRICAL CLEARANCES:

The electrical clearances required for a Indoor/Outdoor termination and a straight through joint is shall be as per standards

6.0 COMPRESSION TYPE TUBULAR TERMINAL ENDS:

The materials used in the terminals shall be Aluminum of grade 19501 conforming to IS 5082 - Specifications for wrought aluminum and aluminum alloys bars, rods, tubes and sections for electrical purposes. The finish inside the barrel shall either be suitably roughened throughout the crimping length of terminal end or provided with suitable grease

based compound with abrasive action. Edges and corners shall be free from burrs and sharp edges. The terminals shall meet the requirements of IS 8309 - Specification for Compression type tubular terminal ends for aluminum conductors of insulated cables.

JOINT KITS:

The requirements contained in a typical joint Kit are as follows:

- a) Heat shrinkable or push-on or Tapex or cold shrinkable type clear insulating tubes
- b) Stress control tubing where necessary
- c) Ferrule insulating tubing for joints.
- d) Conductive cable break outs for terminations, non tracking, erosion and
- e) Weather resistant tubing both outer / inner
- f) Non tracking erosions and weather resistant outdoor sheds in case of terminations
- g) High permittivity mastic wedge Insulating mastic.
- h) Aluminum crimping lugs of ISI specification.
- i) Tinned copper braids
- j) Wrap around mechanical protection for joints.
- k) Cleaning solvents, abrasive strips.
- l) Plumbing metal.
- m) Binding wire etc. adequate in quantity and dimensions to meet the service and test conditions.
- n) The kit shall contain a leaflet consisting of detailed installation instructions and shall be properly packed with shelf life of over 3 years.

LIST OF MANUFACTURERS:

- a) RECHEM
- b) FRONTTECH
- c) 3M

The bidders can only offer the above manufacturer's equipments.

ANNEXURE - I

SPECIFICATIONS FOR MATERIAL PROPERTIES AND OTHER TECHNICAL REQUIREMENTS FOR HEAT SHRINKABLE CABLE TERMINATIONS AND JOINTS SUITABLE FOR 33 kV SCREENED CABLES/XLPE CABLES

1.0 GENERAL:

The term heat shrink refers to extruded or molded polymeric materials which are cross linked to develop elastic memory and supplied in expanded or deformed size or shape. The subsequent heating results in shrinking down to original size and shape. The manufacturer of kits besides stating the properties of each component of the kit as indicated below and as per the detailed specifications given in **Enclosures-I(A), I(B) & I(C)** should also state the source of origin of each component viz; whether locally manufactured or imported in raw material form and processed. The manufacturing activity carried out on each component should be stated. Also, in case the kit is assembled with components imported from two or more foreign suppliers, the manufacturers should give documentary proof supported by the foreign manufacturers confirming that the kit assembled utilizing components of different suppliers are guaranteed by them.

2.0 QUALIFYING EXPERIENCE:

The kits should have satisfactory performance record in India in excess of 5 years supported with proof of customers having had satisfactory use of these kits in excess of 5 years.

3.0 PERFORMANCE TESTING AT CPRI, BANGALORE:

The successful contractor/bidder should undertake the testing of termination and jointing kits at CPRI in the presence of CESU Engineers as per the performance type test sequence given below. For this purpose, the kit shall be selected by CESU Engineers in the manufacturer's premises and sealed by the Engineer before taking it to CPRI, Bangalore.

Typical atmospheric conditions during the tests		
Sl No	Particulars	Details
1	Amb. Temperature	Maximum 45 ⁰ C
		Minimum 10 ⁰ C
2	Atmospheric pressure	963 to 987 m. bar
3	Relative Humidity	50 – 90 %

Test sequence

SI No	<u>Test Sequence</u>		<u>Test Voltage</u>	Test results shall be as follows
1	Impact a wedge shaped weight of 4 kg having a 90° angle with a 2 mm radius shall be dropped freely 6 times from a height of 2.0M. On to the sample. The drops shall be distributed over the length of the joint and at right angles to the axis of the joint, (Electricity Council Engg.C.81)			No visual damage
2	AC voltage withstand (IEC Pub 60)	1 min	35 kV	Shall withstand satisfactorily
3	Impulse voltage withstand test (IEC Pub 60 & 230)	10 positive and 10 negative 1.2/50 micro seconds between each conductor & the grounded sheath or screen	Indoor -75 kV	-do-
4			Load Cycling	
5	Thermal short circuit	1 Sec. symmetrical fault with sheath temp. as per cable Spec.		-do-
6	Load Cycling	Repeat	15 kV	-do-
7	A/C voltage withstand	4 hrs	24 kV	-do-
8	Impulse voltage withstand	Repeat	Indoor -75 kV	-do-
9			D/C voltage withstand	
10	Humidity indoor termination	Conductivity 800 S/Cm., 100 hrs spray rate 0.41/Cu. M/h	7.5 kV	-do-
11	Dynamic short circuit (VDE 0278)	63 kA		-do-
12	Salt frog outdoor terminations	224 Kg/m³	7.5 kV	-do-

ENCLOSURE – I (A)

MATERIAL SPECIFICATION FOR HEAT SHRINKABLE TUBING

Test	Test Method	Requirement				
		Non-Tracking Tubing	Stress Control Tubing	Ferrule insulating tubing	Clear insulating tubing	Inner Outer tubing for Joint
Tensile Strength	ISO 37	8 N/mm ² Min.	14 N/mm ² Min.	10 N/mm ² Min.	12 N/mm ² Min.	14 MPa Min.
Ultimate Elongation	ISO 37	300 % Min.	250 % Min.	300 % Min.	200 % Min.	500 % Min.
Accelerated Ageing 168 Hrs. at 120°C	ISO 188					
-Tensile Strength	ISO 37 Min.	7.5 N/mm ² Min.	13 N/mm ² Min.	10 N/mm ² Min.	12 N/mm ² Min.	14 MPa Min.
- Ultimate Elongation	ISO 37	200 % Min.	130 % Min.	300 % Min.	200 % Min.	300 % Min.
Thermal Endurance	IEC 216	110° C Min.	90° C Min.	105° C Min.	110° C Min.	120° C Min.
Electric Strength	IEC 243	Wall Elec. Thkn. Strn. (Normal) KV/CM	-	Wall Elec. Thkn. Strn. (Normal)KV/CM	Wall Elec. Thkn. Strn. (Normal)KV/CM	100 kV/CM Min.

		3.0 mm.	100 Min.		3.0 mm.	100 Min.	*1.3 mm.	100 Min.	
Volume Resistivity	IEC 93	1 × 10 ⁸ OHM-CM Min.		5 × 10 ¹⁰ OHM-CM Min.	1 × 10 ¹³ OHM-CM Min.		1 × 10 ¹⁶ OHM-CM Min.		1 × 10 ¹² OHM-CM Min.
Dielectric	IEC 250	5.0 Max.		15.0 Min.	5.0 Max.		3.5 Max.		5.0 Max.
Tracking and erosion resistance	ASTM D2303	No tracking erosion to top surface or flame failure after: 1 HR at 2.5 kV 1 HR at 2.75 kV 1 HR at 3.0 kV 20 Mins at 3.25kV		-	KA 3C				KA 1
Water absorption	ISO/R 62 Procedure A	1 % Max. AFT. 14 days at (23 ± 2)°C		1 % Max. AFT. 14 days at (23 ± 2)°C	1 % Max. AFT. 14 days at (23 ± 2)°C		0.5 % Max. AFT. 14 days at (23 ± 2)° C		0.2 % Max. AFT. 14 days at (23 ± 2)° C
Resistance to liquids	ISO 1817								
- Transformer oil to VDE 0370 immersion & days at (23 ± 2)°C									
-Tensile Strength	ISO 37	5 N/mm ² Min.		13 N/mm ² Min.	7.5 N/mm ² Min.		-		14 MPa Min.
-Ultimate Elongation	ISO 37	250 % Min.		250 % Min.	250 % Min.		-		300 % Min.

MATERIAL SPECIFICATION FOR HEAT SHRINKABLE MOULDED PARTS

SI No	Test	Test Method	Requirement	
			Sheds	Conductive Break-outs
1	Tensile Strength	ISO 37	8 N/mm ²	9 N/mm ²
2	Ultimate Elongation	ISO 37	300 % Minimum.	230%
3	Accelerated Ageing 168 Hrs. at 120°C	ISO 188		
4	Tensile Strength	ISO 37	7.5 N/mm ² Minimum.	9 N/mm ² Minimum.
5	Ultimate Elongation	ISO 37	200 % Minimum.	150 % Minimum.
6	Thermal Endurance	IEC 216	110°C Minimum.	105°C Minimum.
7	Electric Strength	IEC 243	Wall Elec. Thkn. Strn. (Normal) KV/CM	-
			<3.0 100 mm. Minimum.	
8	Volume Resistivity	IEC 93	1 × 10 ¹³ OHM-CM Minimum.	200 OHM-CM Max.
9	Dielectric constant	IEC 250	5.0 Maximum.	-
10	Tracking and erosion resistance	ASTM D2303	No tracking erosion to top surface or flame failure after: 1 HR at 2.5 kV 1 HR at 2.75 kV 1 HR at 3.0 kV 20 Mins. at 3.25 kV	-
11	Water absorption	ISO/R 62 Procedure A	1 % Max. AFTER. 14 days at (23 ± 2)° C	1 % Max. AFTER. 14 days at (23 ± 2)°C
12	Resistance to liquids	ISO 1817		
13	Transformer oil to VDE 0370 immersion & days at (23 ± 2)° C			
14	Tensile Strength	ISO 37	5 N/mm ² Minimum.	7.5 N/mm ² Minimum.
	Ultimate Elongation	ISO 37	250 % Minimum.	150 % Minimum.

ENCLOSURE- I(C)

MATERIAL SPECIFICATION FOR HEAT SHRINKABLE ADHESIVE/SEALANTS			
Test	Test Method	Requirement	
		Black Insulator Mastic	Sealant break-out and sheds
Softening Point	ASTM E28	(115 ± 10) ^o C	
Electric Strength	IEC 243	130 kV/CM Min.	80 kV/CM Min.
Volume resistivity	IEC 93	1 × 10 ¹⁴ OHM-CM Min.	
Water absorption	ISO/R 62 Procedure A	1 % Max. AFT. 1 day at (23 ± 2) ^o C	1 % Max. AFT. 1 day at (23 ± 2) ^o C
Corrosive effect 16 Hrs. at 121 ^o C	ASTM D2671 Method-B	No corrosion	
Adhesive peel strength substrate 2/1	as detailed in master Spec.	-	

			Below- 30° C
NTR/ NTR			25N/25 mm Min.
NTR/ CON			20N/25 mm Min.
NTR/ AL			20N/25 mm Min.
NTR/ Pb			20N/25 mm Min.
T.E.R.T	ASTM D2303	-	No tracking erosion to top surface or flame failure after : 1 HR at 2.0 kV 1 HR at 2.5 kV 1 HR at 2.75 kV

ANNEXURE – I(D)

CLASSIFICATION OF SOIL STRATA

1.00 Ordinary Soil:

This shall comprise of vegetable or organic soil, turf, sand, sandy soil, silt, loam, clay, mud, red earth, sude, peat, black cotton soil, soft shale, loose murrum, mud debris, concrete below ground level, a mixture of all these and similar material which yields to the ordinary application of pick, shovel, rake or other ordinary digging implement. Removal of gravel or any other modular material having diameter in any one direction not exceeding 75 mm, such occurring strata shall be deemed to be covered under this category.

Hard Soil:

This shall include :

- 1) Stiff heavy clay, hard shale or compact murrum requiring grifting tool or pickor both and shovel closely applied.
- 2) Gravel, soft laterite, kankar and cobble stone having maximum diameter in any one direction between 75 mm and 300 mm.
- 3) Soliding of road paths, etc., and hard core.
- 4) Macadam surfaces such as water bound and bitumen/tar bound.
- 5) Lime concrete, stone masonry in lime/cement mortar below ground level.
- 6) Soft conglomerate, where the stones may be detached from the matrix with picks.
- 7) Generally any material which requires the close application of picks or sacrificers to loosen and not affording resistance to digging greater than hardest of any soil mentioned in item (1) to (6) above.

- 8) Gravel, soft laterite, kankar and cobble stone having maximum diameter in any one direction between 75 mm and 300 mm.
- 9) Soliding of road paths, etc., and hard core.
- 10) Macadam surfaces such as water bound and bitumen/tar bound.
- 11) Lime concrete, stone masonry in lime/cement mortar below ground level.
- 12) Soft conglomerate, where the stones may be detached from the matrix with picks.
- 13) Generally any material which requires the close application of picks or sacrificers to loosen and not affording resistance to digging greater than hardest of any soil mentioned in item (1) to (6) above.

Ordinary Rock:

- 1) Ordinary rock comprising of lime stone, sand stone, hard laterite, fissured rock, conglomerate or other soft or disintegrated rock which may be quarried or split with crow bars.
- 2) Unreinforced cement concrete which may be broken up with crow bars or picks and stone masonry in cement mortar below ground level.
- 3) Boulders which do not require blasting having maximum diameter in any direction of more than 300 mm found lying loose on the surface or embedded in river bed, soil, talus slope wash and terrace material of dissimilar origin.

NOTE : Hard laterite does not require blasting. It is to be classified under ordinary rock which does not require blasting.

Hard Rock:

This shall comprise:

- 1) Any rock or cement concrete or RCC for the excavation of which the use of mechanical plant or blasting is required.

Section-XI

Cable Laying Methodology

GENERAL INFORMATION AND SCOPE OF WORK FOR LAYING UG CABLES

CABLE LAYING

1.0. Notwithstanding anything stated in these specifications, CESU reserves the right to assess the bidder's capability to fulfill the scope of the bid, should the circumstances warrant such assessment.

2.0. DESIGN – WORKMANSHIP AND INTERPRETATION OF CLAUSES :

The design and quality of goods supplied and the workmanship shall be in accordance with the best engineering practice to ensure satisfactory performance of the system throughout the service life.

The goods and accessories offered shall be complete in all respects. Any material and / or component thought not specifically stated in this specification but is necessary for trouble free and successful operation shall be deemed to be included. All such components, accessories, etc., shall be supplied at no extra cost.

The goods supplied shall be such that components, accessories of the same type shall be interchangeable. Likewise similar or corresponding parts, components / accessories shall also be interchangeable.

Wherever and whenever a material or article is specified or described by the name of a particular brand, manufacturer, vendor, the specific item mentioned shall be understood as establishing type, function, quality and not as limiting competition. However bidders may offer other similar components / accessories provided they meet with the required standards, design, duties and performance.

Goods and accessories so offered shall conform to type test and shall also be subjected to acceptance and routine tests in accordance with the requirements stipulated in this specification. The CESU reserves the right for repeating any or all of the type tests to be conducted on the goods supplied.

STANDARDS

Except as modified by this specification all materials to be supplied shall conform to the requirements of the latest editions of the following standards:

- a) IS 1255 Code of practice for Installation and maintenance of power cables up to and including 33 KV rating
- b) IS 7098 (Part 2) Cross – linked Polyethylene PVC sheathed cables.
- c) IEC 332 Tests on erected cables
- d) IEC 1329 Allied steel, tubes, tubular and other rough iron fittings.
- e) IEC 2629 Recommended practice for hot dip galvanizing of iron & steel.
- f) ASTM-D : 2671 Standard method of testing heat shrinkable or push on Tapex or cold type tubing for electrical use.
- g) ASTM-D 3111 Flexibility determination of hot melt adhesives by mandrel bend test method.
- h) IEC 60 High Voltage test
- i) IS 3043 Code of practice for Earthing
- j) IS 8309 Compression type tubular terminals for aluminum conductors of insulated cable.

DEVIATION IN SPECIFICATION:

All deviations in specification shall be brought out by the bidder and detailed clause by clause in appropriate annexure form.

Deviations brought out elsewhere or in any other format will not be considered and are liable for rejection. The CESU in such an event shall also deem that the bidder has conformed to the clauses in this specification scrupulously.

Deviation in specification shall if possible be quoted with reference to standards. The bidder shall then furnish an authentic English version of such standards.

LOCAL CONDITIONS :

It will be imperative on each bidder to fully inform himself of the local conditions and factors which may have any effect on the execution of the supply and services covered under these documents and specification.

It shall be understood and agreed that such factors will have been properly investigated and considered in any bid that is submitted. The purchaser will entertain no claim for financial adjustment to the contract awarded under these specifications and documents. No change in the time schedule of the contract, or any financial adjustment arising thereof that are based on incorrect information, or its effect on the cost of the contract to the bidder shall be permitted by the Purchaser.

Bidders are advised to visit the various areas where the U.G. cables are access, road /drain / footpath crossings to enable them to make proper costing and then quote accordingly.

DETAILS OF WORK :

a) The scope of work involves Supply and laying, testing and commissioning of 33KV, 3 Core, 400/300 Sq.mm XLPE UG cable.

b) Laying of 3 core, 33 kV, 400 and 300 sqmm UG Cables by trenchless technology adopting horizontal Boring (HDD) by machines with adequate drawing capacity.

The contract will be on the turnkey basis and all the required materials as per specifications are to be procured by the contractor himself. The specifications for the major equipment to be procured are as follows :

a) XLPE Cables of above size as per specifications enclosed.

b) Cable jointing termination and straight through kits as per specifications enclosed.

6.2. All the other materials like coarse and fine aggregate sand, joint markers, sealing, route markers, cable support clamps, terminals and inline connectors, sealing compounds etc., whether specifically mentioned or not in these specifications are deemed to have been included in the scope of supply and installation. Similarly, the contractor has to arrange for all the tools and plants required for the works at his own cost.

SERVICE CONDITIONS :

The cables are being laid in the Khurda district, Odisha, where temperature, humidity effect is heavily experienced.

The climatic conditions are prone to wide variations in ambient temperature, humidity etc., and the accessories offered shall be suitable for installation under the above tropical conditions, where moderately hot and humid conditions conducive to dust, rust and fungi growth, prevail at site.

The underground cables are to be laid along NH-5, where other utility services like telephone and EHT lines are encountered.

8.0. CLIMATIC CONDITIONS

Cuttack District is one of the oldest Districts of Odisha. It is an important city and District headquarters. Cuttack, which lends its name to the District, is known as the business capital of Odisha. The word Cuttack derives its name from the anglicized sanskrit word Kataka, which has two meanings-one being military camp and the other being the seat of government, protected by the army. Literally, it also means the fort, referring to the ancient Barabati Fort, around which the city developed. This city takes pride in the fact that it had been the capital of Odisha, before its shifting to Bhubaneswar, the new capital. Geographically, it is located at a latitude of 20 degree 03 to 20 degree 40 N and a longitude of 84 degree 58" to 86 degree 20 E. Cuttack city is flanked by Mahanadi river on the north and Kathajodi river on the south. Covering a geographical area of 3932 sq kms, the District is highly populated. The District experiences tropical climate, with the summer being hot and the winter cold. The maximum temperature that this District experiences is well above 40 degree Celsius (during summer) and the minimum is as low as 10 deg C (during winter). Summer generally lasts from March to June and winter, from October to February. Rainfall is generally heavy during the monsoons, which occur during the months of July and August. The average rainfall received is around 1892.55 mm in the District. South West monsoon is primarily responsible for the rainfall. With limited industrialization, the people of this District depend upon agriculture as their main source of livelihood, with about 76 percentage of the population being dependent on it. Agriculture in this District is sustained by the numerous rivers and canals flowing through it. Rice, pulses, oil seeds, jute, sugarcane, coconut and turmeric are the major crops grown here. This District is a major exporter of cash crops, which in turn contributes immensely towards its economic growth. A number of reforms have been implemented in this agricultural sector by the government. Example of some of these reforms are broad basing of agriculture & allied sectors by bringing stake holders to a common platform and empowering farmers' organization & utilizing farmers' input into programme planning and resource allocations etc. Among other industries, the District has a rich tradition of handicraft and cottage industries. The District is famous for its silver filigree works. Horn works, Patta Chitra, Dokra Casting, Terra Cota, Wood Carving, Art Leather and Brass/Bell Metal works are also quite evolved here. The District also generates substantial revenues from the exports of these handicraft products. The presence of a number of handicraft cooperatives and handicraft training institutes gives a boost to this handicraft industry. There are a number of other large and medium industries functioning in this District as well. Some of the prominent among them are Indian Metals and Ferro Alloys (IMFA), Paradeep Oxygen and Odisha Magnetics etc. The micro and small industries functioning here are either chemical based, textile based, leather based or any other category based. The most important aspect as regards the industrial growth of the District is the presence of 8 (eight) industrial estates. Many enterprises are also in the pipeline, prominent among them being Odisha Cement Ltd, Tata Power, Visa Power, Nilachal Power, Arati Steel etc. Secondary Board High School, Ravenshaw University, SCB Medical College, Madhusudan Law College are some of the premier educational institutions of the District. It has also a number of technical institutes like Bhubanananda Odisha School of Engineering (BOSE), IPSAR, Institute of Textile Technology (ITT), National Law University (NLU) etc. Central Rice Research Institute (CRRRI), National Institute of Rehabilitation and Training

(NIRTAR), Regional Spinal Injury Centre (RSIC) and Acharya Harihar Regional Cancer Research Centre (AHRCRC) are the pioneer research institutes functioning here. Netaji Subash Chandra Bose, Utkal Gourav Madhusudan Das, Karma Veera Gouri Shankar Ray, Dr. Radhanath Rath, Dr. Harekrushna Mahatab, Biju patnaik, Pyarimohan Acharya are some of the prominent personalities this District. As per 2011 Census, total population of the district is 2618708 which consists of 1339153 (Male) and 1279555 (Female). The population density of the district is 666 per Sq. Km. Out of total population, 1993561 are literate (Male 1093224 and Female 900337). The Literacy Rate is 84 percent. Sex ratio of the district is 955 female per 1000 male.

COMPLIANCE WITH REGULATIONS :

All services carried out by the bidder / sub contractor shall be as per the requirements of the I.E.Act-2003 & Indian electricity Rules – 1956, OERC and all other applicable statutory laws governing the services in the state of Odisha

Particular attention is drawn to the necessity of consulting the local authorities and the administrative heads concerned with the operation and maintenance of roads, railways, telegraph and telephone services, water supply and sewerage and other public utilities.

The CESU will assist in obtaining permission from civil authorities for boring in the Roads, cutting roads. However the necessary charges shall be paid by the bidder sufficiently in advance. CESU will also co-ordinate with the traffic police authorities for regulation of traffic during cutting of roads.

INSPECTION BY ELECTRICAL INSPECTOR

All Electrical installations and equipments are to be inspected and approved by the Chief Electrical Inspector to the Government of Odisha, before commissioning.

The Contractor will arrange for the payment of the necessary fees for inspection.

Any defects pointed out by the Electrical Inspector, shall be corrected or attended by the bidder /subcontractor at his own cost and he shall pay, for subsequent inspection charges to the Electrical Inspector, for obtaining approval.

INSTALLATION OF U.G. CABLES

Method Of Ug Cable Laying : Laying 33 kV HT UG cables at a depth not more than 3 Mtrs, by trenchless technology ,adopting horizontal boring using appropriate standard machines. Boring & Drawing of cable including preparation at site

ROUTE PLANS: Tentative cable route plans will be furnished to the contractors, indicating the roads road crossings, findings by excavating trial holes by the contractor / sub contractor. The work should be taken upon only after CESU Engineers approve the final route. The CESU reserves the right to change, alter deviate the route on technical reasons.

TRIAL PITS : The bidder shall excavate trial pits, for alignment purpose at appropriate distance apart as warranted by the local conditions, keep a record of the findings and close the trial holes properly to avoid hindrance / accidents to pedestrian traffic. The final route / alignment of the cables shall be decided based on the finding of the trial holes.

It is the responsibility of the bidder to maintain as far as possible the required statutory clearances from other utility services.

Any damage caused, inadvertently to any utility services shall be the sole responsibility of the contractor.

STATUTORY NOTICES AND WAY LEAVES

The Contractor shall arrange the necessary way leaves from the concerned public utility authorities and CESU shall give the required assistance to the contractor in completing the project.

LAYING OF CABLES

33 kV H.T 3 core HT UG cables:

Laying 33 kV HT UG cables by trenchless technology by adopting horizontal boring at a depth not more than 3 Mtrs using appropriate standard machines.

LAYING OUT THE CABLE :

33 kV H.T 3 core HT UG cables:

The cable shall be pulled / drawn smoothly in the bored holes by the horizontal boring machine itself. The excavated cable trench shall be drained of all water and bed surface shall be smooth, uniform and fairly hard before laying out the cable. The cable shall be pulled in the trench only on cable rollers spaced out at uniform intervals to prevent damage to cable. The laying out process shall be smooth and steady, without subjecting the cable abnormal tension. The cable laid out shall be smoothly and evenly transferred to the ground after providing sand cushion and shall never be dropped. All the snake bends in the cable shall be straightened out.

Loop Cable : One complete loop of the cable has to be kept at each jointing point and termination point.

FLAKING

Wherever it is not possible to lay of the entire cable drum length, the cable should be cut and properly sealed and if it is necessary to remove the cable from the drum, it should be properly flaked. Such cable lengths should be properly stored at site.

CABLES AND OVER BRIDGES :

Wherever the cable route crosses bridges the cable shall be laid in the ducts, if provided, by removing and replacing the R.C.C. covers and filled with sand cushion.

In the absence of the cable ducts over bridges, the cable shall be laid in suitable size steel/G.I. pipes or as directed by the engineer-In-charge and the pipe covered by cement concrete if necessary to protect from direct sunrays.

CABLE CROSSING OPEN DRAINS WITH LONG SPAN :

Wherever the cable to cross open drains with a long span, the cable shall be laid in suitable size G.I. pipe, properly jointed with suitable collars. The GI pipe shall be firmly supported on pillars, columns, or suitable support of R.C.C. foundation with stone masonry in cement mortar 1:4

Wherever the U.G. cable has to cross the sewerage or water supply line the U.G. cable has to be taken below them maintaining adequate clearance. Further wherever the U.G. cable runs parallel to the telephone cable a separation distance of at least 300-mm shall be maintained.

The cables shall be laid in stoneware pipe wherever the cable and trench crosses private roads, gates, etc. In order to avoid inconvenience the stoneware pipe should be laid first after excavation and excavated trench shall be back filled, compacted and surface properly redone to restore that original condition.

CABLE AND JOINT MARKERS

Permanent means of indicating the positions of joints on site should be provided. During the course of permanent reinstatement cable and joint markers, should be laid directly above the route of the cable and the position of the joint respectively.

Wherever it is not possible to place the marker directly over the cable route or joint the marker should be suitably placed near the cable route or joint on which the distance of the cable route or joint at right angles to and parallel to the marker should be clearly indicated.

The position of fixing the markers will be at the discretion of the Engineer-In-charge.

JOINTING OF CABLES

GENERAL: It shall be noted that the U.G. cables are of XLPE insulation and needs special care in jointing. The cable jointer and his assistant shall have experience in making joints / terminations. Jointing work should commence as soon as two or three lengths of cables have been laid. All care should be taken to protect the factory-plumbed cap/seal by laying the end solid in bitumen until such time as the jointing is commenced.

Jointing of cables in carriage ways, drives, under costly paving, under concrete or asphalt surfaces and in proximity to telephone cables and water mains, should be avoided whenever possible.

JOINT PITS: The joint pits should be sufficient dimensions as to allow jointers to work with as much freedom of movement and comfort as cables proposed to be jointed. The sides of the pit should be draped with tarpaulin sheet to prevent loose earth from falling on the joint during the course of making. The pit should be well shored with timber, if necessary. An overlap of about 1.0 mtr of the cables to be jointed may be kept, for allowance to adjust the position of the joint. When two or more cables are laid together the joints shall be arranged to be staggered by 2 to 2.5mtr.

SUMP PITS: When jointing cables in water logged ground or under monsoon conditions, a sump pit should be excavated at one end of the joint pit in such a position so that the accumulating water can be pumped or bailed out by buckets without causing interference to the jointing operation.

TENTS: A tent should be used in all circumstances wherever jointing work is carried out in the open irrespective of the weather conditions. The tent should be so covered as to have only one entrance and the back facing the direction of the wind. The tent cover should be properly weighted or tied down on the sides.

MEASUREMENT OF INSULATION RESISTANCE: Before jointing is commenced the insulation resistance of both sections of the cable to be jointed should be checked by insulation resistance testing instrument. An insulation resistance – testing instrument of 2.5/5 kV shall be used. The Insulation Resistance values, between phases and phase to earth shall be recorded. The actual jointing operation shall start only after the approval of the engineer in charge of works.

PRECAUTIONS BEFORE MAKING A JOINT OR CUTTING A CABLE.

The cable end seals should not be opened until all necessary precautions have been taken to prevent circumstances arising out of rainy/inclement weather conditions, which might become uncontrollable. The cable seals should be examined to ascertain if they are intact and also that the cable ends are not damaged, if the seals are found broken or the lead sheath punctured, the cable ends should not be jointed until after due examination and testing by the engineer-in-charge of the works.

PRECAUTIONS TO BE TAKEN ON LIVE CABLES IN SERVICE

Sometimes it becomes necessary that a H.V. cable, which is in service, be cut for making a straight joint with a new cable. In such cases work on joint should start only after the in service cable is properly identified, isolated, discharged, tested and effectively earthed. Search coils interrupters or cable-identifying instruments should be used for this purpose.

IDENTIFICATION NUMBERS / COLOURS AND PHASING : The cables should be laid and jointed number to number or colour to colour shown on the core identifying marks and prevent cross jointing. In all cases, the cables should be tested and phased out, and more particularly so when the cable terminates at Ring Main Unit /Sub-station.

MAKING A JOINT: The Heat shrinkable joints used shall conform to the specification vide Annexe 2. Alternatively push-on or Tapex or cold shrinkable type can be used with the approval of CESU. The contractor should furnish all the technical particulars of these joints and obtain approval only in case they are found superior to the heat shrinkable joints. Epoxy based joints are not permitted. Comprehensive jointing instructions obtained from the manufacturer of joint kits shall be meticulously followed. The connection of the earth wires should be done using flexible bonds connected to cable sheath using clips or soldering. Aluminum conductor strands shall be joined by mechanical compression method, using suitable die and sleeve with a good quality tool. The joints shall conform to specification as per IS 13573-1992.

TRANSITION JOINTS: Wherever straight through joints will have to be made with existing cables under the following conditions, the contractor shall arrange such type of joints and execute them with skilled jointers.

- (1) Between cables having two different types of insulation viz., paper and XLPE
- (2) Between cables having two different types of conductor material, viz. copper and aluminum.
- (3) Or a combination of the above

The transition joints shall conform to IS 13705 – Transition joints for cables for working voltages from 11 KV upto and including 33 KV – performance requirements and type tests.

CABLE TERMINATIONS: Cable terminations required are both indoor and outdoor type and invariably be of heat shrinkable type conforming to the specifications vide Annexe 2. Alternatively push-on or Tapex or cold shrinkable type can be used with the approval of CESU with appropriate sheds for rainwater in case of outdoor terminations. All the technical particulars to establish the superiority in the performance of these joints shall be furnished while seeking approval. The terminations shall conform to specifications as per IS 13573 – 1992. The instructions furnished by the manufacturer of termination boxes/kits should strictly be followed.

Whenever a cable raised from the trench to end in termination, to be finally connected to an overhead line or transformer, the following instructions should be complied with–

- (i) One coil to made and left in the ground for future needs
- (ii) The rise of cable, immediately from the ground level should be enclosed in suitable diameter GI pipe to height of 2 mt.
- (iii) The balance portion of the cable should be neatly curved, in 'S' shape.
- (iv) The cable and pipe should be properly fastened by using appropriate clamps /support. The hardware of clamps shall be painted with red oxide and enamel paint or galvanized.
- (v) The lugs on the termination shall be compressed with a suitable compression tool.

EARTHING AND BONDING

The metal sheath and Armour should be efficiently bonded and earthed at all terminals to earth electrodes provided. The cross sectional area of the bond shall be such that the resistance of each bond connection shall not exceed the combined resistance of an equal length of the metal sheath and Armour of the cable.

TESTING AFTER LAYING AND JOINTING

All cables after laying and jointing works are completed should be tested systematically and insulation and pressure tests should be made on all underground cables.

All test results should be recorded in tabular form in logbooks kept for the purpose
The cable cores should be tested for :-

- (i) Continuity
- (ii) Absence of cross phasing
- (iii) Insulation resistance to earth; insulation resistance between conductors.

H.V. TESTS

After the laying and jointing work is completed, a high voltage test should be applied to the cable to ensure that the cable has not been damaged during or after the laying operations and there is not defect in the joining

The high voltage tests should be as per IS 1255 or as per international standards. The H.V. testing instruments shall be brought by the turn key contractor.

TESTING AND RECORD OF CABLE CONSTANTS :

When the cable is ready, just before commissioning, the cable constants viz, the resistance, capacitance and inductance of each conductor should be determined and recorded, along with frequency at which the values of capacitance and inductance are determined.

GUARANTEE

All the cable joints / termination done by the contractor shall be guaranteed for 12 months from the date of energisation of the complete cable. In the event of failure during the guarantee period, the restoration work shall be done free of cost by the contractor within 24 hours of giving notice or else the expenditure incurred by CESU to re-do the joint / termination will be recovered from the performance guarantee amount held with the CESU.

CABLE RECORDS

Accurate neat plans / sketches, drawn to suitable scale (1 cm = 10M) should be prepared and furnished by the contractor after the completion of each work.

All relevant information should be collected at site, during the progress of work and preserved for preparation of drawings.

The following essential data should be incorporated on all drawings

- a) Size, type of cable or cables.
- b) Location of the cable in relation to prominent land mark property, Kerb-line etc., with depths.
- c) The cross section showing where cables are laid in piper or ducts, giving their sizes, type and depths.
- d) Position and type of all joints
- e) Location of other cables which run alongside or across the cable route.
- f) Position and depths of all pipers, ducts, etc., which are met as obstruction to the cable route.
- g) Accurate lengths from joint to joint
- f) Manufacturers name and drum number of the cable, between sections / joint to joint.

Two transparencies and six blue print copies of the cable records prepared as above shall be given to the CESU's engineer as a part of the contract as soon as the cable is charged.